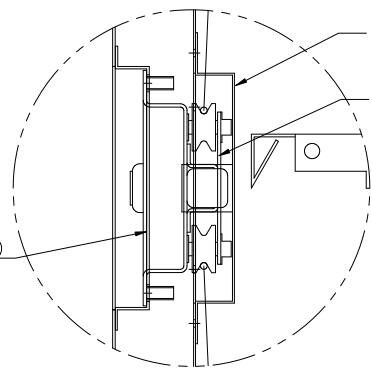
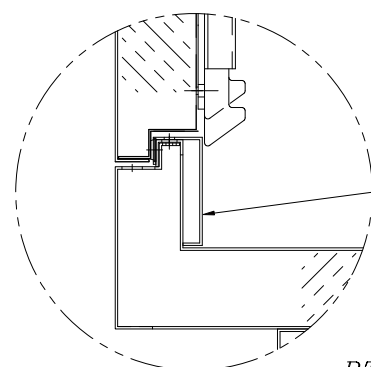


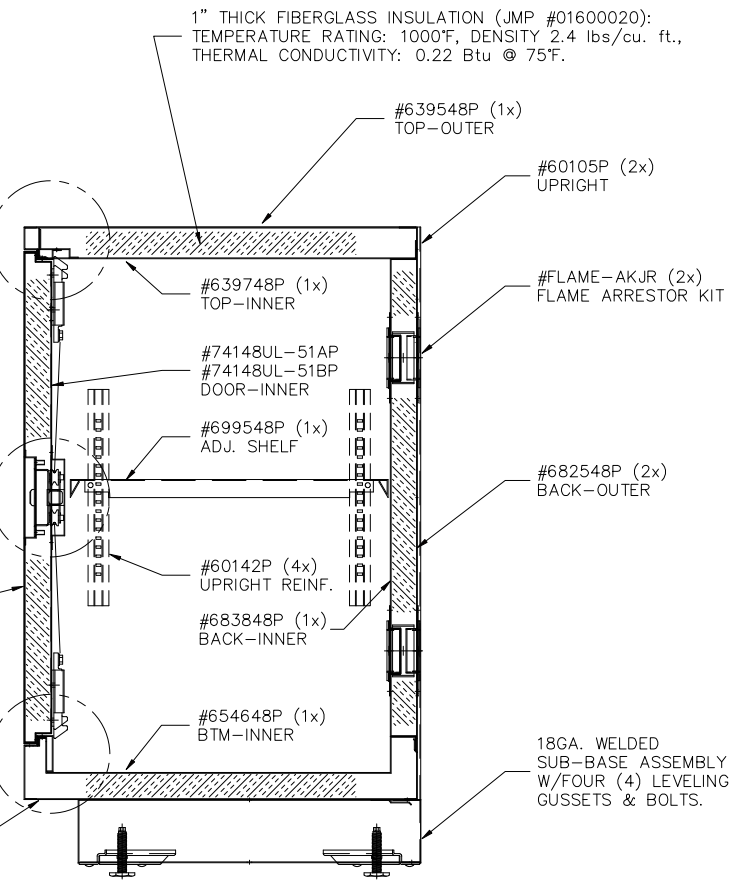
TOP DOOR SECTION DET.



DOOR/LATCH SECTION DET.



BTM. DOOR SECTION DET.



SIDE SECTION VIEW

PART NUMBERS ARE FOR A P189-48SLAS CONFIGURATION APPLICABLE FOR ALL HEIGHT UL FLAME CABINETS

/// LOCATION OF THERMAL INSULATION

1" THICK FIBERGLASS INSULATION (JMP #01600020):
TEMPERATURE RATING: 1000°F, DENSITY 2.4 lbs/cu. ft.,
THERMAL CONDUCTIVITY: 0.22 Btu @ 75°F.

REFER TO TOP CORNER SECTION DET.

REFER TO DOOR/LATCH SECTION DET.

REFER TO BTM. CORNER SECTION DET.

Information contained in this document is the property of Jamestown Metal Products and may not be disclosed without permission.

REV	DATE	DESCRIPTION	BY
A		ADDED INSULATION SPEC. NOTE	DAG



Jamestown Metal Products
178 Blackstone Avenue Jamestown, New York 14701
Phone : 716-665-5313 Fax : 716-665-5121
Website : www.jamestown.com

Item	UL SECT-01	Revision	A	Scale	NTS	Project Name	JMP FLAME TEST	
Description	FLAMMABLE LIQUID STORAGE CABINET SECTION VIEWS							
	UL LISTED FOR FLAME TEST						JMP Number	#18986
Drawn By	DAG		Date	02/17/09		Floor		
TOLERANCE (±)	0.015 UON						Checked By	
							Sheet No.	1 OF 1