



# Technical Bulletin

178 Blackstone Avenue Jamestown NY 14701

[www.jamestown.com](http://www.jamestown.com)

716.665.5313

Date: August 15, 2011

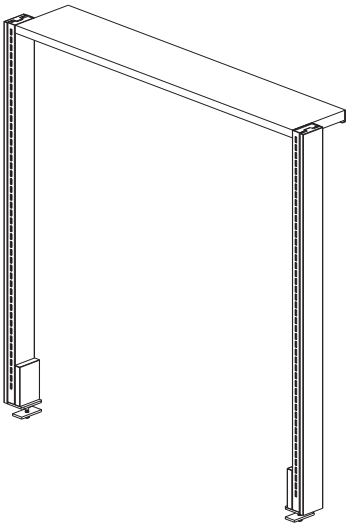
No.: 027

To: Customer Service, Engineering, Estimating, Operations, Sales, Valued JMP Dealers

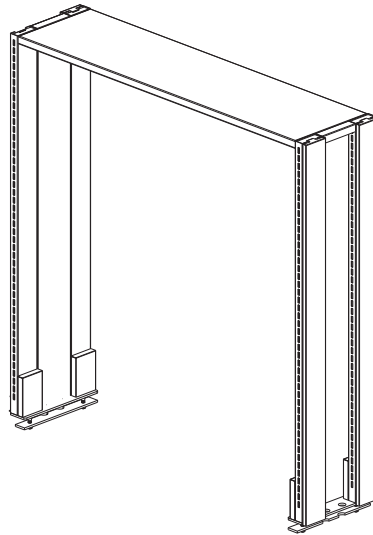
Subject: FlexCore, REVISED Product Introduction – Bench Top Cores, 6", 8-3/4" & 12"

JMP is pleased to announce the REVISION of Bench Top Cores, 6", 8-3/4" & 12" within the FlexCore Product Line:

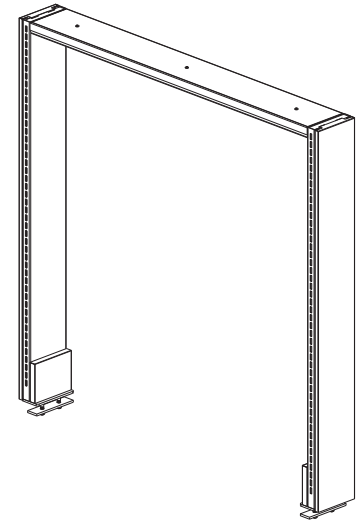
- **Bench Top Cores, 6", 8-3/4" & 12"**, have been REVISED to improve the attachment method to the work surface and improve the overall appearance of the installed product
- **Bench Top Cores, 6", 8-3/4" & 12"**, are still available in standard widths from 24" to 72" in 6" increments, and come complete with all hardware and brackets necessary for installation to the work surface
- Please refer to Installation Instruction #31 and JMP Flex Laboratory System specification for all other information regarding the design and application of these **Bench Top Cores, 6", 8-3/4" & 12"**



8-3/4"D  
Wall Bench Top  
Core



12"D  
Bench Top Core



6"D  
Bench Top Core

Contact JMP for more information.

FlexCore Engineering  
Jamestown Metal Products, LLC