



Technical Bulletin

178 Blackstone Avenue Jamestown NY 14701

www.jamestown.com

716.665.5313

Date: August 15, 2011

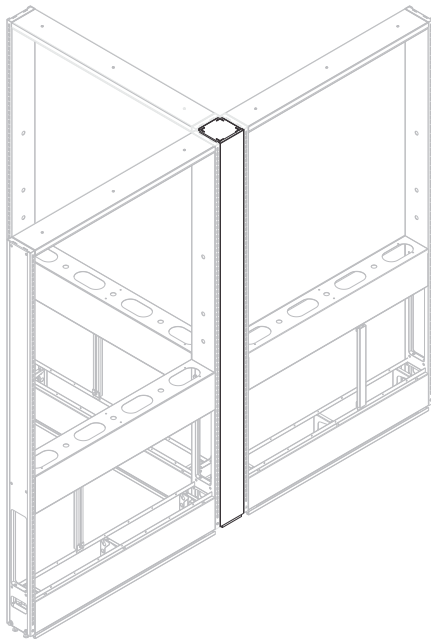
No.: 020

To: Customer Service, Engineering, Estimating, Operations, Sales, Valued JMP Dealers

Subject: FlexCore, New Product Introduction – **Corner Post, 6", Full Height, "T" or "X" Configuration**

JMP is pleased to announce the addition of the **Corner Post, 6", Full Height, "T" or "X" Configuration** to the FlexCore Product Line:

- **Corner Post, 6", Full Height, "T" or "X" Configuration** are generally used where three or more 6" Cores meet at 90° angles, to provide a finished appearance and a passage way for services from one Core to adjacent Cores
- Each **Corner Post, 6", Full Height, "T" or "X" Configuration** includes hardware and brackets necessary for attaching to adjoining Cores
- **Corner Post, 6", Full Height, "T" or "X" Configuration** paint color must match the primary color of the Core
- Please refer to Installation Instruction #16 and JMP Flex Laboratory System specification for all other information regarding the design and application of this **Corner Post, 6", Full Height, "T" or "X" Configuration**



Corner Post,
6", Full Height,
"T" or "X"
Configuration

<u>Unit #</u>	<u>W</u>	<u>H</u>
PFHFHTC06	6"	84"

Contact JMP for more information.

FlexCore Engineering
Jamestown Metal Products, LLC