



Technical Bulletin

178 Blackstone Avenue Jamestown NY 14701

www.jamestown.com

716.665.5313

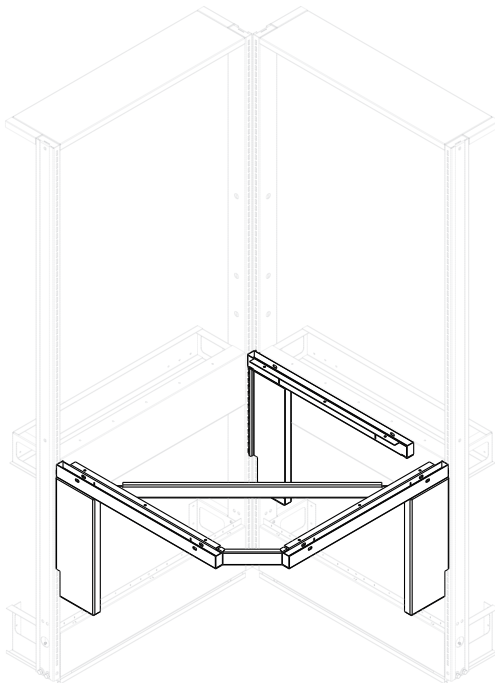
Date: August 15, 2011 No.: 017

To: Customer Service, Engineering, Estimating, Operations, Sales, Valued JMP Dealers

Subject: FlexCore, New Product Introduction – **Corner Cantilever Frame**, 48" X 48" X 29"D

JMP is pleased to announce the addition of the **Corner Cantilever Frame** to the FlexCore Product Line:

- **Corner Cantilever Frames** are used where two Cores meet at a 90° angle, to provide an adjustable height work surface utilizing both Cores for support
- NOTE: The **Corner Cantilever Frame** is only available for 48" x 48" x 29"D Cores presently. Contact JMP Sales if you require a different size for your application
- Each **Corner Cantilever Frame** includes hardware and brackets necessary for assembling and attaching to adjoining Cores
- Please refer to Installation Instruction #24 and JMP Flex Laboratory System specification for all other information regarding the design and application of this **Corner Cantilever Frame**



Corner Cantilever Frame

<u>Unit #</u>	<u>W</u>	<u>D</u>
PCF4829-90	48"	29"

Contact JMP for more information.

FlexCore Engineering
Jamestown Metal Products, LLC