



# Technical Bulletin

178 Blackstone Avenue Jamestown NY 14701

[www.jamestown.com](http://www.jamestown.com)

716.665.5313

Date: *July 11, 2011*

No.: 008

To: Customer Service, Engineering, Estimating, Operations, Sales, Valued JMP Dealers

Subject: *Isolator, ADA Fume Hoods, L4285 Ball Valves*

*There have been a lot of questions recently with regards to the design and setup of the L4285 Lever Handled Ball Valves typically requested for ADA applications. In order to help our dealers and technical personnel better understand the "standard" locations of these valves, Jamestown has prepared the following Technical Bulletin with attached documentation to show where these fixtures are typically located, vertically on the fascia posts.*

*Notes: The "Y" dimension for WaterSaver remains their and our standard of 2 3/4".*

Contact JMP for more information.

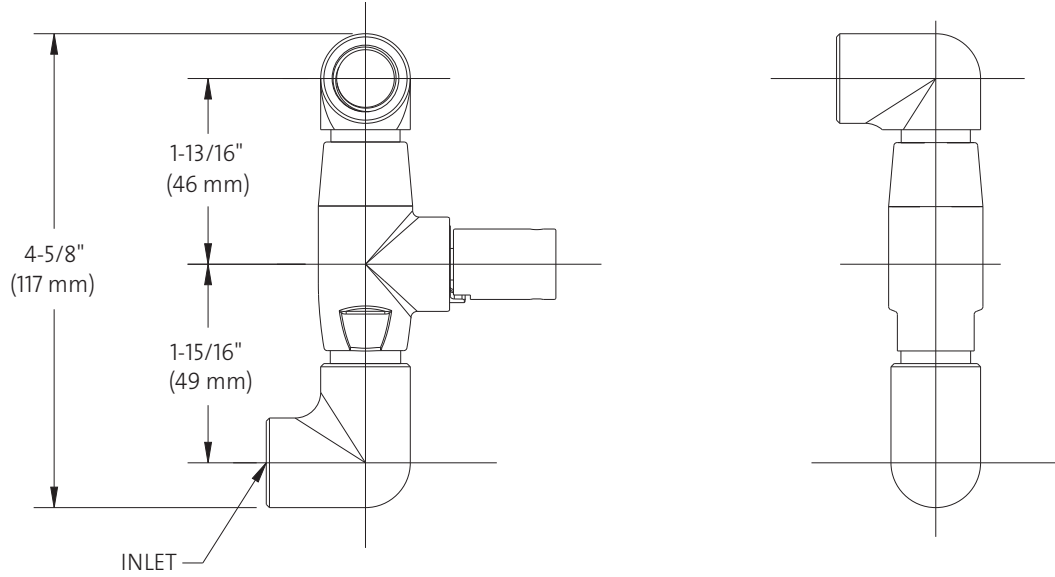
*Fume Hood Engineering*

Jamestown Metal Products, LLC

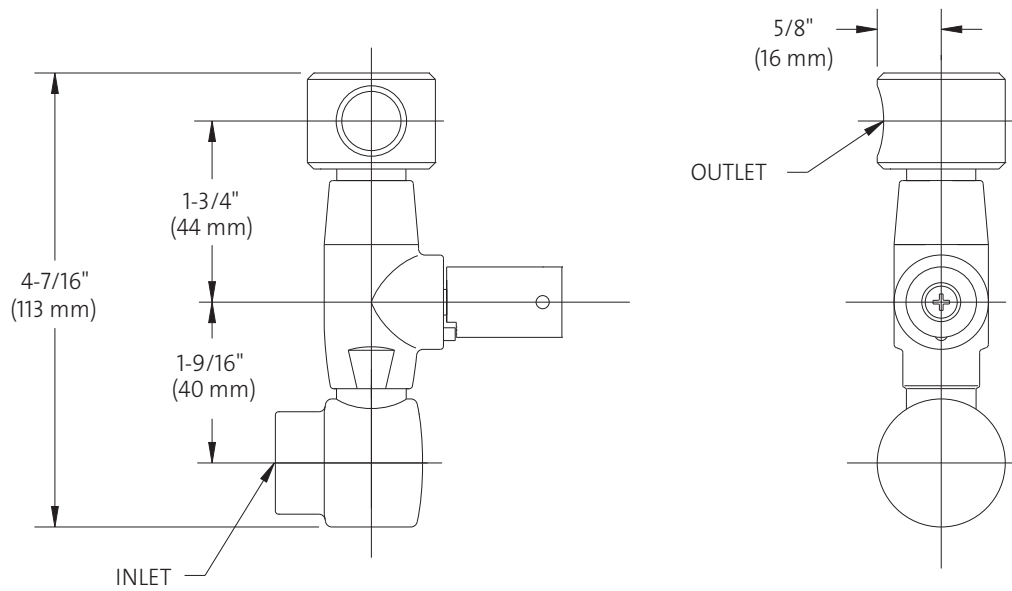


# WaterSaver

## ○ L4285VRB/VLB (Less Rod and Handle) New Style Versus Old Style



NEW STYLE

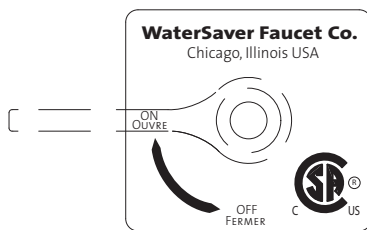
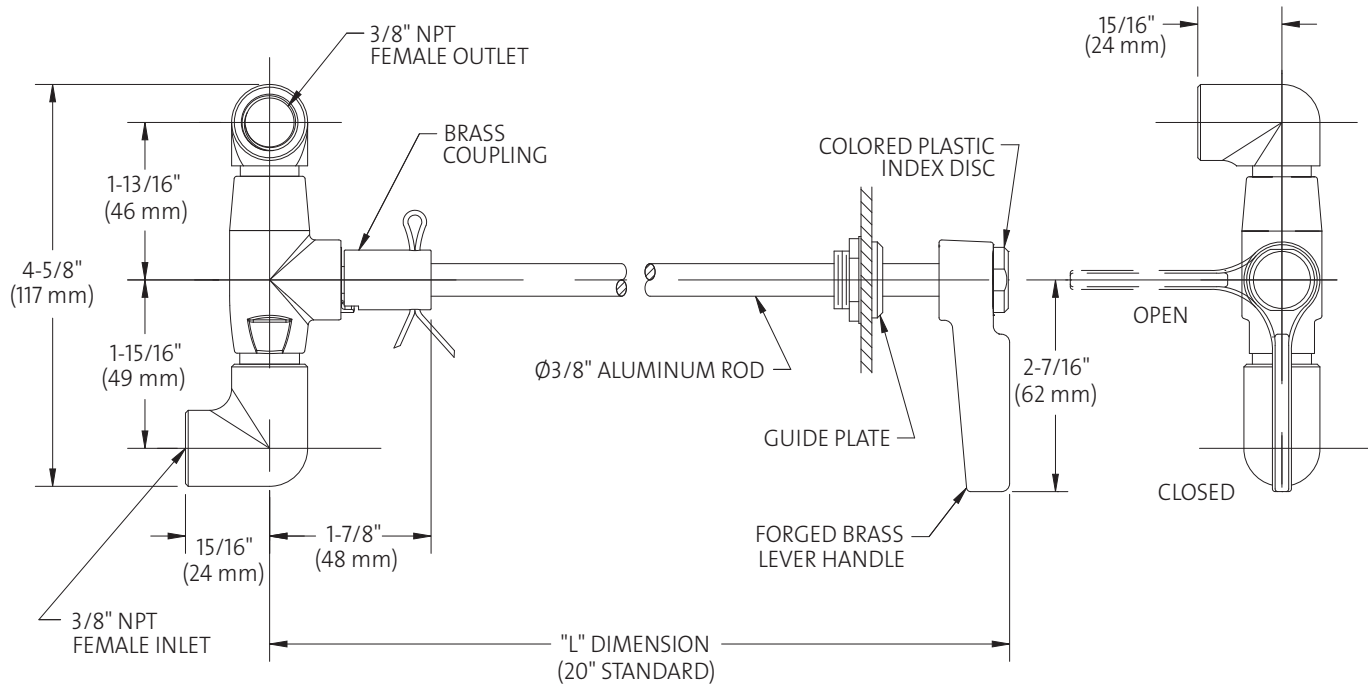


OLD STYLE

Measurements may vary  $\pm 1/4$ ".

**L4285VRB** Laboratory Ball Valve, Remote Control (Vertical-Right Hand)

*Note: Valve is Designed for mounting on right hand side of fume hood.*



LABEL SUPPLIED FOR FRONT OF PANEL



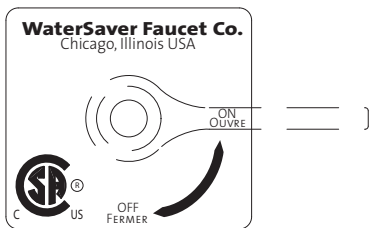
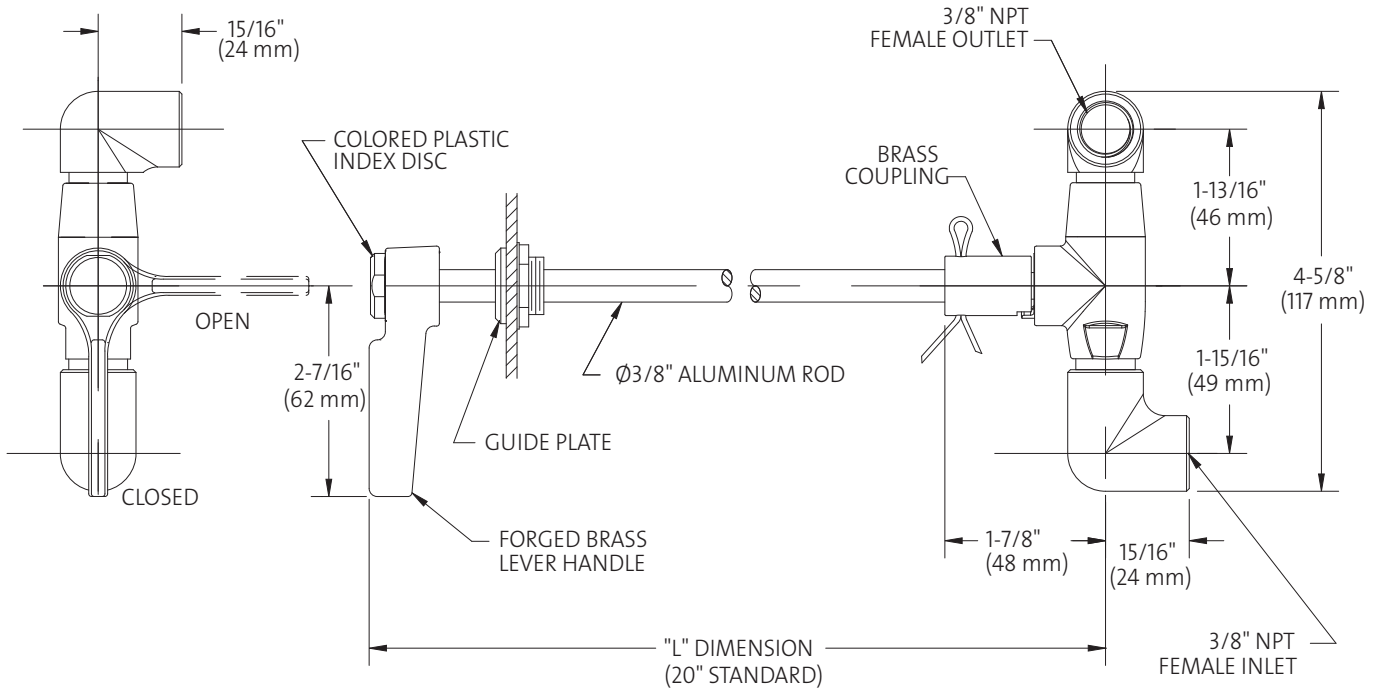
NOTES:

1. VALVE IS FACTORY ASSEMBLED AND TESTED AT 125 PSI. MAXIMUM WORKING PRESSURE IS 75 PSI.
2. VALVE IS SUITABLE FOR WATER AND GAS SERVICES.
3. VALVE IS CERTIFIED FOR GAS SERVICE BY CANADIAN STANDARDS ASSOCIATION UNDER STANDARD ANSI Z21.15-1997/CGA9.1-M97.

Measurements may vary  $\pm 1/4$ ".

**L4285VLB** Laboratory Ball Valve, Remote Control (Vertical-Left Hand)

*Note: Valve is designed for mounting on left hand side of fume hood.*



LABEL SUPPLIED FOR FRONT OF PANEL

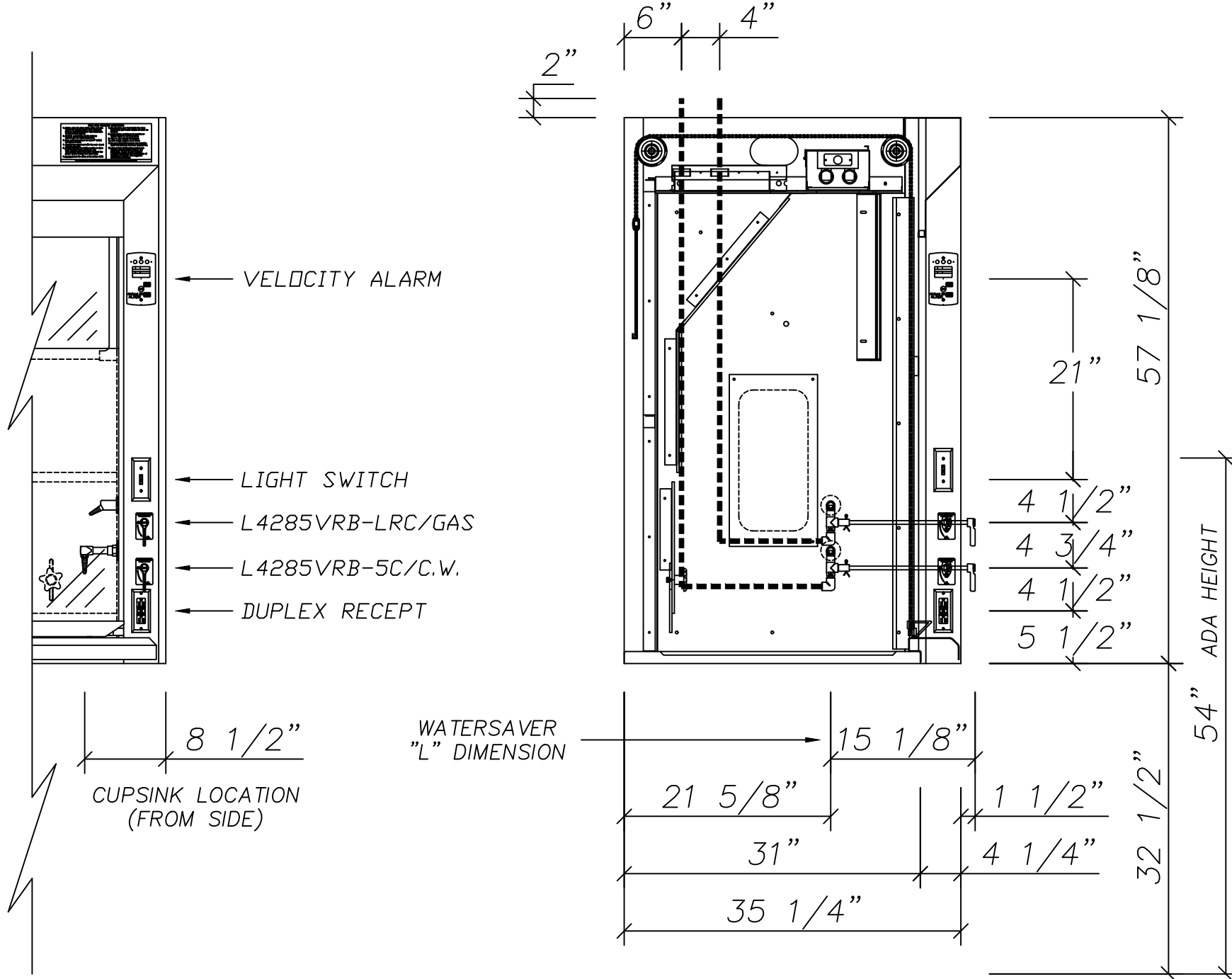


NOTES:

1. VALVE IS FACTORY ASSEMBLED AND TESTED AT 125 PSI. MAXIMUM WORKING PRESSURE IS 75 PSI.
2. VALVE IS SUITABLE FOR WATER AND GAS SERVICES.
3. VALVE IS CERTIFIED FOR GAS SERVICE BY CANADIAN STANDARDS ASSOCIATION UNDER STANDARD ANSI Z21.15-1997/CGA9.1-M97.

Measurements may vary  $\pm 1/4$ ".

Typical "ADA" L4285VB  
 PLUMBING FIXTURE LOCATION  
 ISOLATOR BENCH FUMEHOOD



*Typical "ADA" L4285VB  
PLUMBING FIXTURE LOCATION  
GEN5 BENCH FUMEHOOD*

