



## **ATTACHING CORNER COLUMN CEILING EXTENSION TO FULL HT. CORNER COLUMNS**

### Tools Required:

Socket Set with 1/2" Socket  
1/2" Combination Wrench  
Phillips Screw Driver No. 2 & 3 Tips

### Hardware Included with PCE-KIT

#### Included with Ceiling Extension:

- 4 HHCS, 5/16 -18 x 3/4", grade 5
- 4 Washers, Lock 5/16"
- 4 Nuts, 5/16"
- 8 Screws, PPHSS #10 x 1/2"
- 4 Dual Lock Fasteners - 170, 3/4" x 1-1/4"
- 4 Dual Lock Fasteners - 400, 3/4" x 2"

**Note 1:** The unit is designed for a 10' high suspended ceiling with the side members projecting up through the suspended ceiling approximately 3", but the top of the side covers stop 1/2" under the suspended ceiling (ref. Detail C) so you can easily remove the covers and have accessibility to the services.

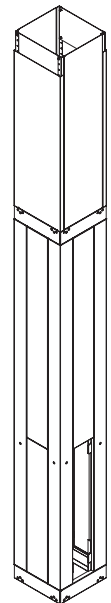
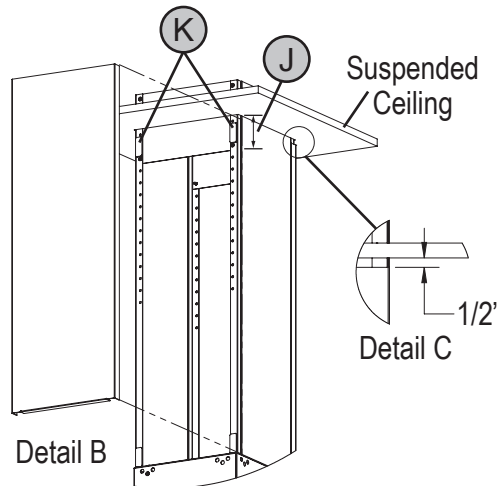
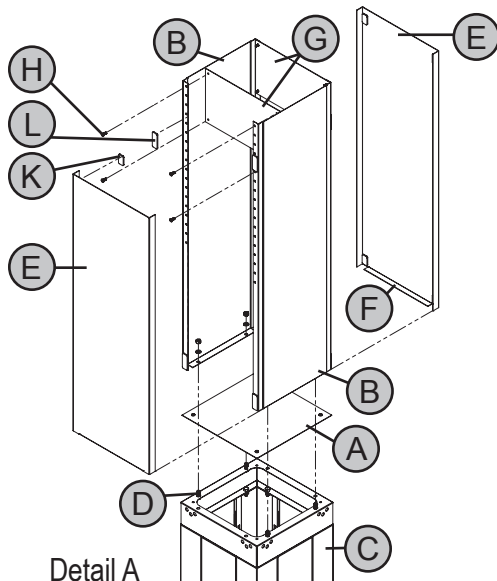
**Note 2:** If your drop ceiling height is less than 10', the covers and sides will need to be field cut. The side members have holes on 1-1/4" spacing to facilitate lower ceiling heights.

**Note 3:** The dual lock fasteners located at the top of the cover and sides are not factory attached so the installer can modify the components to facilitate the suspended ceiling height.

1. Remove cover A.
2. Attach the side members (B) to the top of the service column (C) with the HHCS 5/16-18 x 3/4", grade 5 (D), lock washers and nuts as shown in Detail A.
3. Measure the distance between the top of the service column and the bottom of the suspended ceiling and the height of your cover needs to be approximately 1/2" shorter, (Detail C). Field cut as needed to the end of the cover (E) that does not have flange (F).  
Note: Field cut the top of sides B only if it interferes with other services above the drop ceiling.
4. Assemble the support brackets (G) with screws (H) to the side members in the holes that allow the support brackets to extend 3-5/8" to 4-7/8" (J) (ref. Detail B) below the bottom of the suspended ceiling.
5. Locate where the dual lock fasteners (K & L) will be attached (see Details A & B). Clean the surfaces on the cover and sides with a 50:50 mixture of isopropyl alcohol (IPA) and water and attach the 2" long fastener (L) to the ceiling extension sides and the 1-1/4" long fastener (K) to the cover so the two align.

**Note:** The adhesive bond strength of the fasteners is dependant upon the amount of adhesive-to-surface contact developed. Firm application pressure develops better adhesive contact and helps improve bond strength. Generally, this means that the tape should experience at least 15 psi downward pressure for proper adhesion.

6. Attach the covers (E) to the ceiling extension sides.



**Completely Assembled**