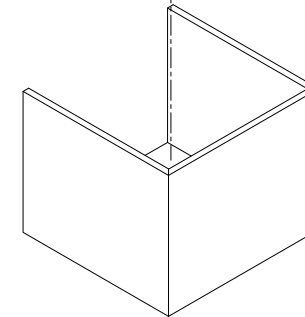
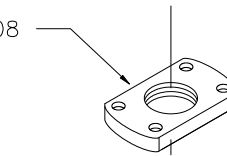
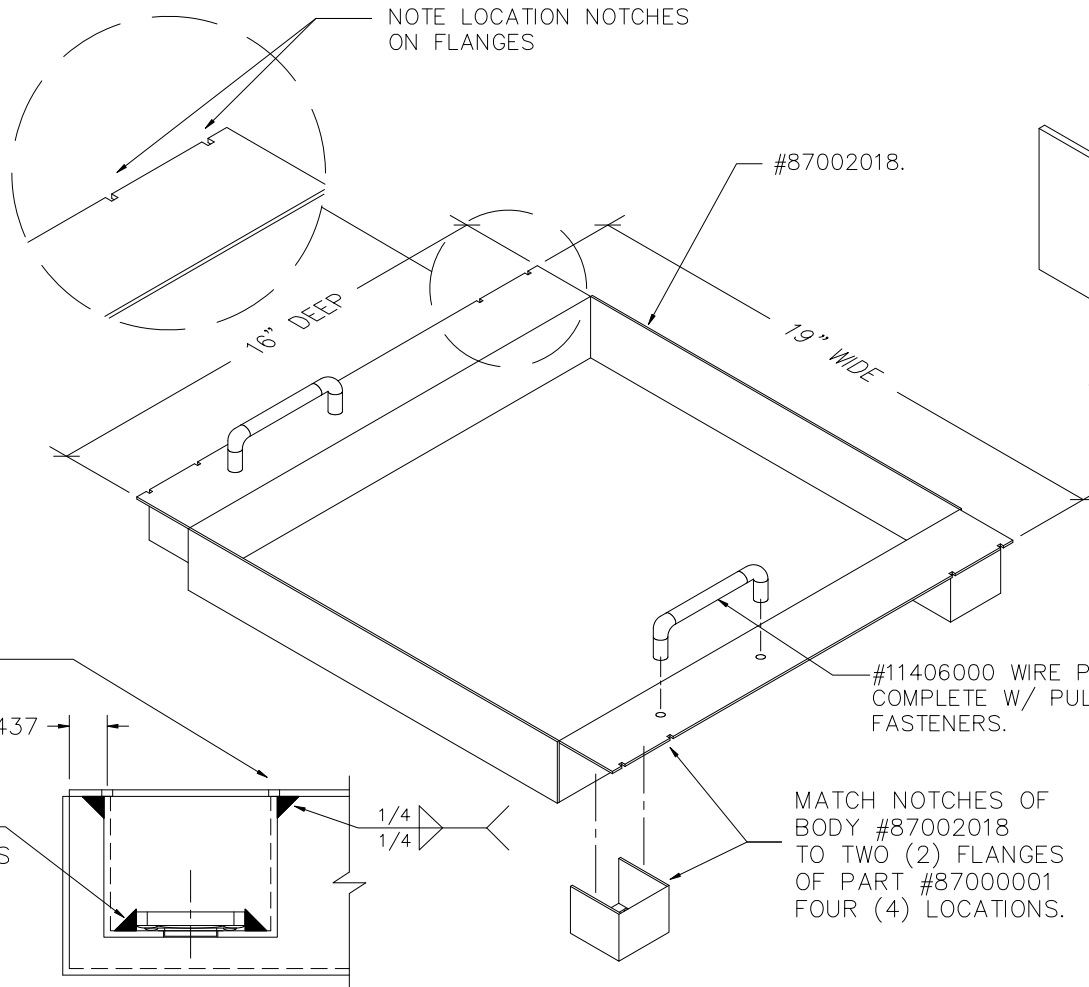


APPLICABLE FOR MS OR SS ASSEMBLIES



WELD NUT/CASTER SUPPORT CHNL.
WELD DETAIL

JOB NO.	.
Qty Req'd	.
No of Sheets	.
Date	.
Color	.
M #	.

LOCATION NOTCH (TYP.)

0.437

TACK WELD
TWO (2) SIDES

1/4
1/4

BODY/CASTER SUPPORT CHNL.
WELD DETAIL

#11406000 WIRE PULL PACKAGE
COMPLETE W/ PULL & TWO (2)
FASTENERS.

MATCH NOTCHES OF
BODY #87002018
TO TWO (2) FLANGES
OF PART #87000001
FOUR (4) LOCATIONS.

BILL OF MATERIALS FOR SINK TOPS

PLEASE TAKE FROM FLOOR STOCK

PART #	DESCRIPTION	QTY REQ
87001916	BODY, CADDIE, 19W, 16DP	1
87000001	CASTER SUPPORT 3-SIDED	4
11406000	WIRE PACKAGE (COMPLETE)	2
02150008	NUT, WELD 1/2-13	4
-	-	-
-	-	-
-	-	-
-	-	-

MATERIAL	M.S./S.S.
BLANK SIZE	.
SHEAR SIZE	.
PROGRAM	.
YIELD	.
TYPE	.
FAMILY	.
PROD. CODE	.

REV	DATE	DESCRIPTION	BY
A	08/21/09	DECREASED DEPTH AND WIDTH.	DAG
TOLERANCE (±) .015 UON			

JAMESTOWN 178 Blackstone Avenue
Jamestown, New York 14701

Item 87501916 Rev A Scale NTS

Description PUMP CADDIE WELDMENT
FOR 24W X 22DP CABINET

Drawn By DAG Date 02/17/09