



ATTACHING SHELF END BRACKETS AND SHELF LIPS TO SHELF

Tools Required:

Phillips Screw Driver No. 2 & 3 Tips

Hardware Included in PS-Kit

Included with Shelf:

8 Screws, Pan Head #10 x 1/2"

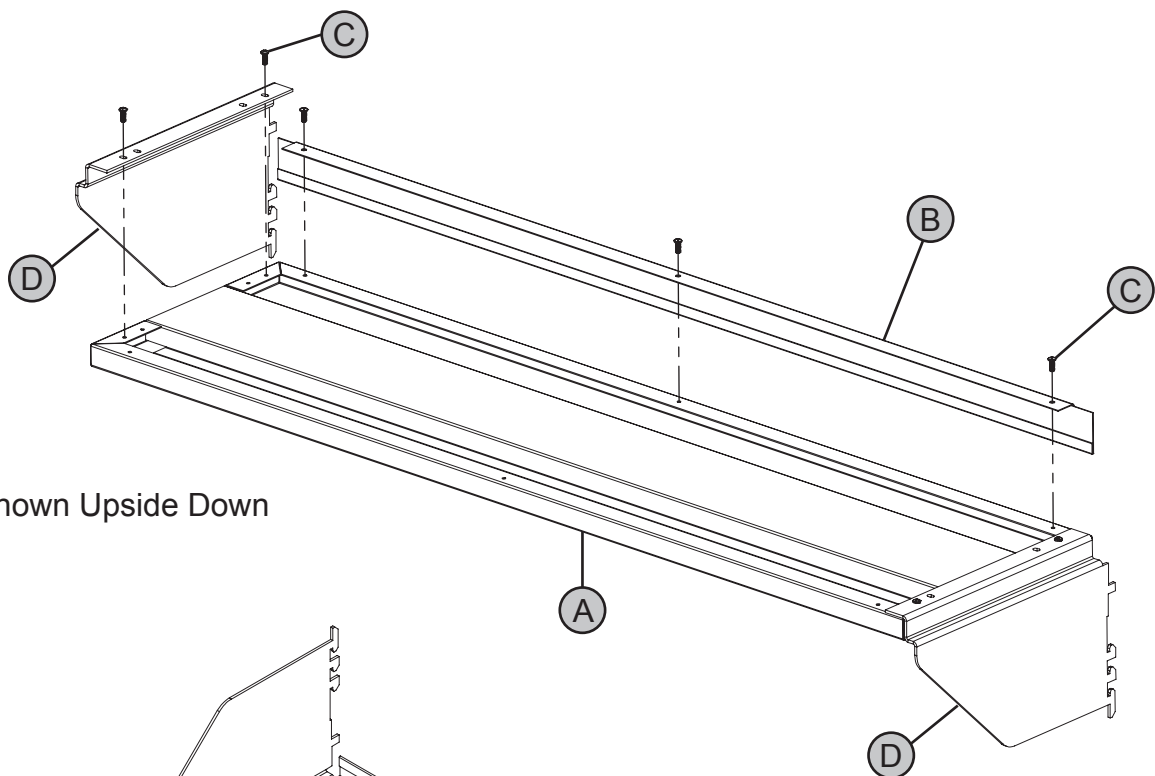
Hardware Included in PSL-Kit

Included with Shelf Lip:

3 Screws, Pan Head #10 x 1/2"

Note: Shelf lips can be installed to either the back (as shown) or front edge of the shelf. This also is applicable to inside shelves.

1. Place the shelf (A) upside down on a protected work area.
2. Attach shelf lips (B) as required on the back and/or front edge of shelf, attach with screws (C) as shown.
3. Attach brackets (D) with screws (C) as shown.
4. Tighten all hardware securely.



Shelf Shown Upside Down

Fully Assembled

