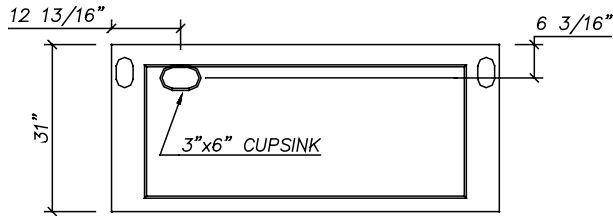


Worktop Diagrams

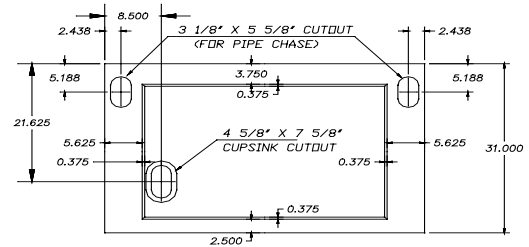
Bench worktops feature 1/2" dished work area, 31" depth and 1 1/4" edge thickness. Extra deep depths of 37" are available. Cutouts are sized for 3"x6" cupsinks. Specify if larger cupsink is required.

*Note: Cutout and cupsink prices are included with worktop purchase.

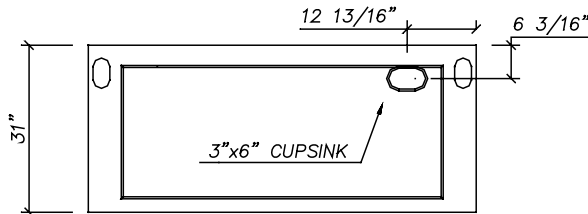
Worktop with left rear cutout



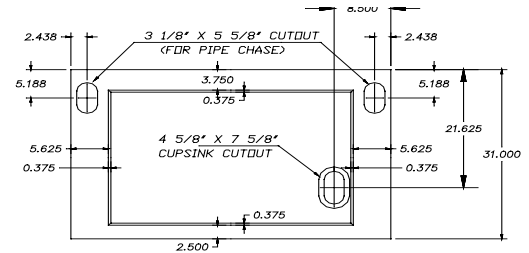
ADA Worktop with left front cutout



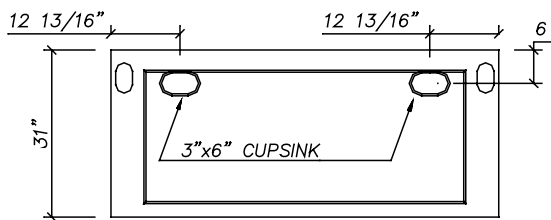
Worktop with right rear cutout



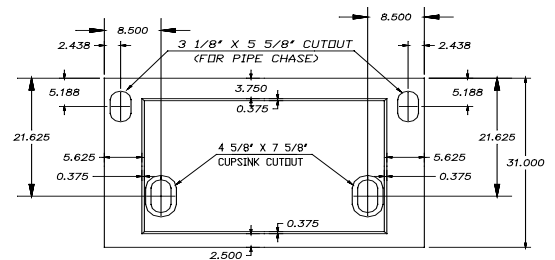
ADA Worktop with right front cutout



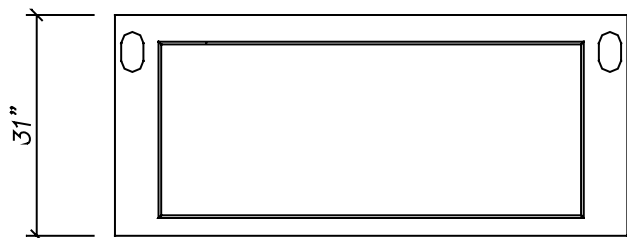
Worktop with both rear cutout



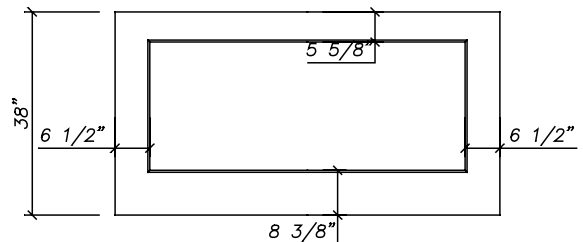
ADA Worktop with both front cutout



Worktop with no cutout



Walk-In Floor



Walk-In floors feature 1/2" dished work area, 38" depth and 1 1/4" edge thickness. Extra deep floors with a 44" depth are available. Designed to slide into the walk-In hood interior.

Fume Hood Accessories – Worktops**Workfloor – Walk-In Hoods**

WI-48-B	48" Epoxy Floor	Black
WI-48-G	48" Epoxy Floor	Pearl Gray
WI-48-M	48" Epoxy Floor	Platinum Gray
WI-48-S	48" Stainless Steel Floor	304 Stainless Steel
WI-60-B	60" Epoxy Floor	Black
WI-60-G	60" Epoxy Floor	Pearl Gray
WI-60-M	60" Epoxy Floor	Platinum Gray
WI-60-S	60" Stainless Steel Floor	304 Stainless Steel
WI-72-B	72" Epoxy Floor	Black
WI-72-G	72" Epoxy Floor	Pearl Gray
WI-72-M	72" Epoxy Floor	Platinum Gray
WI-72-S	72" Stainless Steel Floor	304 Stainless Steel
WI-96-B	96" Epoxy Floor	Black
WI-96-G	96" Epoxy Floor	Pearl Gray
WI-96-M	96" Epoxy Floor	Platinum Gray
WI-96-S	96" Stainless Steel Floor	304 Stainless Steel
WI-120-B	120" Epoxy Floor	Black
WI-120-G	120" Epoxy Floor	Pearl Gray
WI-120-M	120" Epoxy Floor	Platinum Gray
WI-120-S	120" Stainless Steel Floor	304 Stainless Steel
WI-144-B	144" Epoxy Floor	Black
WI-144-G	144" Epoxy Floor	Pearl Gray
WI-144-M	144" Epoxy Floor	Platinum Gray
WI-144-S	144" Stainless Steel Floor	304 Stainless Steel

Worktop – Without Cupsink

WN-36-B	36" Epoxy Top	No Cutout	Black
WN-36-G	36" Epoxy Top	No Cutout	Pearl Gray
WN-36-M	36" Epoxy Top	No Cutout	Platinum Gray
WN-36-S	36" Stainless Steel Top	No Cutout	304 Stainless Steel
WN-48-B	48" Epoxy Top	No Cutout	Black
WN-48-G	48" Epoxy Top	No Cutout	Pearl Gray
WN-48-M	48" Epoxy Top	No Cutout	Platinum Gray
WN-48-S	48" Stainless Steel Top	No Cutout	304 Stainless Steel
WN-60-B	60" Epoxy Top	No Cutout	Black
WN-60-G	60" Epoxy Top	No Cutout	Pearl Gray
WN-60-M	60" Epoxy Top	No Cutout	Platinum Gray
WN-60-S	60" Stainless Steel Top	No Cutout	304 Stainless Steel
WN-72-B	72" Epoxy Top	No Cutout	Black
WN-72-G	72" Epoxy Top	No Cutout	Pearl Gray
WN-72-M	72" Epoxy Top	No Cutout	Platinum Gray
WN-72-S	72" Stainless Steel Top	No Cutout	304 Stainless Steel
WN-96-B	96" Epoxy Top	No Cutout	Black
WN-96-G	96" Epoxy Top	No Cutout	Pearl Gray
WN-96-M	96" Epoxy Top	No Cutout	Platinum Gray
WN-96-S	96" Stainless Steel Top	No Cutout	304 Stainless Steel
WN-120-B	120" Epoxy Top	No Cutout	Black
WN-120-G	120" Epoxy Top	No Cutout	Pearl Gray
WN-120-M	120" Epoxy Top	No Cutout	Platinum Gray
WN-120-S	120" Stainless Steel Top	No Cutout	304 Stainless Steel
WN-144-B	144" Epoxy Top	No Cutout	Black
WN-144-G	144" Epoxy Top	No Cutout	Pearl Gray
WN-144-M	144" Epoxy Top	No Cutout	Platinum Gray
WN-144-S	144" Stainless Steel Top	No Cutout	304 Stainless Steel

Fume Hood Accessories - Worktops**Worktop - With Left Rear Cupsink**

WL-36-B	36" Epoxy Top	Left Rear Cutout	Black
WL-36-G	36" Epoxy Top	Left Rear Cutout	Pearl Gray
WL-36-M	36" Epoxy Top	Left Rear Cutout	Platinum Gray
WL-36-S	36" Stainless Steel Top	Left Rear Cutout	304 Stainless Steel
WL-48-B	48" Epoxy Top	Left Rear Cutout	Black
WL-48-G	48" Epoxy Top	Left Rear Cutout	Pearl Gray
WL-48-M	48" Epoxy Top	Left Rear Cutout	Platinum Gray
WL-48-S	48" Stainless Steel Top	Left Rear Cutout	304 Stainless Steel
WL-60-B	60" Epoxy Top	Left Rear Cutout	Black
WL-60-M	60" Epoxy Top	Left Rear Cutout	Platinum Gray
WL-60-S	60" Stainless Steel Top	Left Rear Cutout	304 Stainless Steel
WL-72-B	72" Epoxy Top	Left Rear Cutout	Black
WL-72-G	72" Epoxy Top	Left Rear Cutout	Pearl Gray
WL-72-M	72" Epoxy Top	Left Rear Cutout	Platinum Gray
WL-72-S	72" Stainless Steel Top	Left Rear Cutout	304 Stainless Steel
WL-96-B	96" Epoxy Top	Left Rear Cutout	Black
WL-96-G	96" Epoxy Top	Left Rear Cutout	Pearl Gray
WL-96-M	96" Epoxy Top	Left Rear Cutout	Platinum Gray
WL-96-S	96" Stainless Steel Top	Left Rear Cutout	304 Stainless Steel
WL-120-B	120" Epoxy Top	Left Rear Cutout	Black
WL-120-G	120" Epoxy Top	Left Rear Cutout	Pearl Gray
WL-120-M	120" Epoxy Top	Left Rear Cutout	Platinum Gray
WL-120-S	120" Stainless Steel Top	Left Rear Cutout	304 Stainless Steel
WL-144-B	144" Epoxy Top	Left Rear Cutout	Black
WL-144-G	144" Epoxy Top	Left Rear Cutout	Pearl Gray
WL-144-M	144" Epoxy Top	Left Rear Cutout	Platinum Gray
WL-144-S	144" Stainless Steel Top	Left Rear Cutout	304 Stainless Steel

Worktop – With Right Rear Cupsink

WR-36-B	36" Epoxy Top	Right Rear Cutout	Black
WR-36-G	36" Epoxy Top	Right Rear Cutout	Pearl Gray
WR-36-M	36" Epoxy Top	Right Rear Cutout	Platinum Gray
WR-36-S	36" Stainless Steel Top	Right Rear Cutout	304 Stainless Steel
WR-48-B	48" Epoxy Top	Right Rear Cutout	Black
WR-48-G	48" Epoxy Top	Right Rear Cutout	Pearl Gray
WR-48-M	48" Epoxy Top	Right Rear Cutout	Platinum Gray
WR-48-S	48" Stainless Steel Top	Right Rear Cutout	304 Stainless Steel
WR-60-B	60" Epoxy Top	Right Rear Cutout	Black
WR-60-G	60" Epoxy Top	Right Rear Cutout	Pearl Gray
WR-60-M	60" Epoxy Top	Right Rear Cutout	Platinum Gray
WR-60-S	60" Stainless Steel Top	Right Rear Cutout	304 Stainless Steel
WR-72-B	72" Epoxy Top	Right Rear Cutout	Black
WR-72-G	72" Epoxy Top	Right Rear Cutout	Pearl Gray
WR-72-M	72" Epoxy Top	Right Rear Cutout	Platinum Gray
WR-72-S	72" Stainless Steel Top	Right Rear Cutout	304 Stainless Steel-
WR-96-B	96" Epoxy Top	Right Rear Cutout	Black
WR-96-G	96" Epoxy Top	Right Rear Cutout	Pearl Gray
WR-96-M	96" Epoxy Top	Right Rear Cutout	Platinum Gray
WR-96-S	96" Stainless Steel Top	Right Rear Cutout	304 Stainless Steel
WR-120-B	120" Epoxy Top	Right Rear Cutout	Black
WR-120-G	120" Epoxy Top	Right Rear Cutout	Pearl Gray
WR-120-M	120" Epoxy Top	Right Rear Cutout	Platinum Gray
WR-120-S	120" Stainless Steel Top	Right Rear Cutout	304 Stainless Steel
WR-144-B	144" Epoxy Top	Right Rear Cutout	Black
WR-144-G	144" Epoxy Top	Right Rear Cutout	Pearl Gray
WR-144-M	144" Epoxy Top	Right Rear Cutout	Platinum Gray
WR-144-S	144" Stainless Steel Top,	Right Rear Cutout	304 Stainless Steel

Fume Hood Accessories – Worktops**Worktop – With Both Rear Cupsinks**

WB-36-B	36" Epoxy Top	Both Cutout	Black
WB-36-G	36" Epoxy Top	Both Cutout	Pearl Gray
WB-36-M	36" Epoxy Top	Both Cutout	Platinum Gray
WB-36-S	36" Stainless Steel Top	Both Cutout	304 Stainless Steel
WB-48-B	48" Epoxy Top	Both Cutout	Black
WB-48-G	48" Epoxy Top	Both Cutout	Pearl Gray
WB-48-M	48" Epoxy Top	Both Cutout	Platinum Gray
WB-48-S	48" Stainless Steel Top	Both Cutout	304 Stainless Steel
WB-60-B	60" Epoxy Top	Both Cutout	Black
WB-60-G	60" Epoxy Top	Both Cutout	Pearl Gray
WB-60-M	60" Epoxy Top	Both Cutout	Platinum Gray
WB-60-S	60" Stainless Steel Top	Both Cutout	304 Stainless Steel
WB-72-B	72" Epoxy Top	Both Cutout	Black
WB-72-G	72" Epoxy Top	Both Cutout	Pearl Gray
WB-72-M	72" Epoxy Top	Both Cutout	Platinum Gray
WB-72-S	72" Stainless Steel Top	Both Cutout	304 Stainless Steel
WB-96-B	96" Epoxy Top	Both Cutout	Black
WB-96-G	96" Epoxy Top	Both Cutout	Pearl Gray
WB-96-M	96" Epoxy Top	Both Cutout	Platinum Gray
WB-96-S	96" Stainless Steel Top	Both Cutout	304 Stainless Steel
WB-120-B	120" Epoxy Top	Both Cutout	Black
WB-120-G	120" Epoxy Top	Both Cutout	Pearl Gray
WB-120-M	120" Epoxy Top	Both Cutout	Platinum Gray
WB-120-S	120" Stainless Steel Top	Both Cutout	304 Stainless Steel
WB-144-B	144" Epoxy Top	Both Cutout	Black
WB-144-G	144" Epoxy Top	Both Cutout	Pearl Gray
WB-144-M	144" Epoxy Top	Both Cutout	Platinum Gray
WB-144-S	144" Stainless Steel Top	Both Cutout	304 Stainless Steel

Deep Workfloor – Walk-In Hoods

WI-48D30B	48" Epoxy Floor	Deep	Black
WI-48D30G	48" Epoxy Floor	Deep	Pearl Gray
WI-48D30M	48" Epoxy Floor	Deep	Platinum Gray
WI-48D30S	48" Stainless Steel Floor	Deep	304 Stainless Steel
WI-60D30B	60" Epoxy Floor	Deep	Black
WI-60D30G	60" Epoxy Floor	Deep	Pearl Gray
WI-60D30M	60" Epoxy Floor	Deep	Platinum Gray
WI-60D30S	60" Stainless Steel Floor	Deep	304 Stainless Steel
WI-72D30B	72" Epoxy Floor	Deep	Black
WI-72D30G	72" Epoxy Floor	Deep	Pearl Gray
WI-72D30M	72" Epoxy Floor	Deep	Platinum Gray
WI-72D30S	72" Stainless Steel Floor	Deep	304 Stainless Steel
WI-96D30B	96" Epoxy Floor	Deep	Black
WI-96D30G	96" Epoxy Floor	Deep	Pearl Gray
WI-96D30M	96" Epoxy Floor	Deep	Platinum Gray
WI-96D30S	96" Stainless Steel Floor	Deep	304 Stainless Steel
WI-120D30B	120" Epoxy Floor	Deep	Black
WI-120D30G	120" Epoxy Floor	Deep	Pearl Gray
WI-120D30M	120" Epoxy Floor	Deep	Platinum Gray
WI-120D30S	120" Stainless Steel Floor	Deep	304 Stainless Steel
WI-144D30B	144" Epoxy Floor	Deep	Black
WI-144D30G	144" Epoxy Floor	Deep	Pearl Gray
WI-144D30M	144" Epoxy Floor	Deep	Platinum Gray
WI-144D30S	144" Stainless Steel Floor	Deep	304 Stainless Steel

Fume Hood Accessories - Worktops**Deep Worktop - Without Cupsink**

WN-48D30B	48" Epoxy	Deep	No Cutout	Black
WN-48D30G	48" Epoxy	Deep	No Cutout	Pearl Gray
WN-48D30M	48" Epoxy	Deep	No Cutout	Platinum Gray
WN-48D30S	48" Stainless Steel	Deep	No Cutout	304 Stainless Steel
WN-60D30B	60" Epoxy	Deep	No Cutout	Black
WN-60D30G	60" Epoxy	Deep	No Cutout	Pearl Gray
WN-60D30M	60" Epoxy	Deep	No Cutout	Platinum Gray
WN-60D30S	60" Stainless Steel	Deep	No Cutout	304 Stainless Steel
WN-72D30B	72" Epoxy	Deep	No Cutout	Black
WN-72D30G	72" Epoxy	Deep	No Cutout	Pearl Gray
WN-72D30M	72" Epoxy	Deep	No Cutout	Platinum Gray
WN-72D30S	72" Stainless Steel	Deep	No Cutout	304 Stainless Steel
WN-96D30B	96" Epoxy	Deep	No Cutout	Black
WN-96D30G	96" Epoxy	Deep	No Cutout	Pearl Gray
WN-96D30M	96" Epoxy	Deep	No Cutout	Platinum Gray
WN-96D30S	96" Stainless Steel	Deep	No Cutout	304 Stainless Steel
WN-120D30B	120" Epoxy	Deep	No Cutout	Black
WN-120D30G	120" Epoxy	Deep	No Cutout	Pearl Gray
WN-120D30M	120" Epoxy	Deep	No Cutout	Platinum Gray
WN-120D30S	120" Stainless Steel	Deep	No Cutout	304 Stainless Steel
WN-144D30B	144" Epoxy	Deep	No Cutout	Black
WN-144D30G	144" Epoxy	Deep	No Cutout	Pearl Gray
WN-144D30M	144" Epoxy	Deep	No Cutout	Platinum Gray
WN-144D30S	144" Stainless Steel	Deep	No Cutout	304 Stainless Steel

Deep Worktop – With Left Rear Cupsink

WL-48D30B	48" Epoxy	Deep	Left Rear Cutout	Black
WL-48D30G	48" Epoxy	Deep	Left Rear Cutout	Pearl Gray
WL-48D30M	48" Epoxy	Deep	Left Rear Cutout	Platinum Gray
WL-48D30S	48" Stainless Steel	Deep	Left Rear Cutout	304 Stainless Steel
WL-60D30B	60" Epoxy	Deep	Left Rear Cutout	Black
WL-60D30G	60" Epoxy	Deep	Left Rear Cutout	Pearl Gray
WL-60D30M	60" Epoxy	Deep	Left Rear Cutout	Platinum Gray
WL-60D30S	60" Stainless Steel	Deep	Left Rear Cutout	304 Stainless Steel
WL-72D30B	72" Epoxy	Deep	Left Rear Cutout	Black
WL-72D30G	72" Epoxy	Deep	Left Rear Cutout	Pearl Gray
WL-72D30M	72" Epoxy	Deep	Left Rear Cutout	Platinum Gray
WL-72D30S	72" Stainless Steel	Deep	Left Rear Cutout	304 Stainless Steel
WL-96D30B	96" Epoxy	Deep	Left Rear Cutout	Black
WL-96D30G	96" Epoxy	Deep	Left Rear Cutout	Pearl Gray
WL-96D30M	96" Epoxy	Deep	Left Rear Cutout	Platinum Gray
WL-96D30S	96" Stainless Steel	Deep	Left Rear Cutout	304 Stainless Steel
WL-120D30B	120" Epoxy	Deep	Left Rear Cutout	Black
WL-120D30G	120" Epoxy	Deep	Left Rear Cutout	Pearl Gray
WL-120D30M	120" Epoxy	Deep	Left Rear Cutout	Platinum Gray
WL-120D30S	120" Stainless Steel	Deep	Left Rear Cutout	304 Stainless Steel
WL-144D30B	144" Epoxy	Deep	Left Rear Cutout	Black
WL-144D30G	144" Epoxy	Deep	Left Rear Cutout	Pearl Gray
WL-144D30M	144" Epoxy	Deep	Left Rear Cutout	Platinum Gray
WL-144D30S	144" Stainless Steel	Deep	Left Rear Cutout	304 Stainless Steel

Fume Hood Accessories - Worktops**Deep Worktop - With Right Rear Cupsink**

WR-48D30B	48" Epoxy	Deep	Right Rear Cutout	Black
WR-48D30G	48" Epoxy	Deep	Right Rear Cutout	Pearl Gray
WR-48D30M	48" Epoxy	Deep	Right Rear Cutoutt	Platinum Gray
WR-48D30S	48" Stainless Steel	Deep	Right Rear Cutout	304 Stainless Steel
WR-60D30B	60" Epoxy	Deep	Right Rear Cutout	Black
WR-60D30G	60" Epoxy	Deep	Right Rear Cutout	Pearl Gray
WR-60D30M	60" Epoxy	Deep	Right Rear Cutout	Platinum Gray
WR-60D30S	60" Stainless Steel	Deep	Right Rear Cutout	304 Stainless Steel
WR-72D30B	72" Epoxy	Deep	Right Rear Cutout	Black
WR-72D30G	72" Epoxy	Deep	Right Rear Cutout	Pearl Gray
WR-72D30M	72" Epoxy	Deep	Right Rear Cutout	Platinum Gray
WR-72D30S	72" Stainless Steel	Deep	Right Rear Cutout	304 Stainless Steel
WR-96D30B	96" Epoxy	Deep	Right Rear Cutout	Black
WR-96D30G	96" Epoxy	Deep	Right Rear Cutout	Pearl Gray
WR-96D30M	96" Epoxy	Deep	Right Rear Cutout	Platinum Gray
WR-96D30S	96" Stainless Steel	Deep	Right Rear Cutout	304 Stainless Steel
WR-120D30B	120" Epoxy	Deep	Right Rear Cutout	Black
WR-120D30G	120" Epoxy	Deep	Right Rear Cutout	Pearl Gray
WR-120D30M	120" Epoxy	Deep	Right Rear Cutout	Platinum Gray
WR-120D30S	120" Stainless Steel	Deep	Right Rear Cutout	304 Stainless Steel
WR-144D30B	144" Epoxy	Deep	Right Rear Cutout	Black
WR-144D30G	144" Epoxy	Deep	Right Rear Cutout	Pearl Gray
WR-144D30M	144" Epoxy	Deep	Right Rear Cutout	Platinum Gray
WR-144D30S	144" Stainless Steel	Deep	Right Rear Cutout	304 Stainless Steel

Deep Worktop – With Both Rear Cupsink

WB-48D30B	48" Epoxy	Deep	Both Cutout	Black
WB-48D30G	48" Epoxy	Deep	Both Cutout	Pearl Gray
WB-48D30M	48" Epoxy	Deep	Both Cutout	Platinum Gray
WB-48D30S	48" Stainless Steel	Deep	Both Cutout	304 Stainless Steel
WB-60D30B	60" Epoxy	Deep	Both Cutout	Black
WB-60D30G	60" Epoxy	Deep	Both Cutout	Pearl Gray
WB-60D30M	60" Epoxy	Deep	Both Cutout	Platinum Gray
WB-60D30S	60" Stainless Steel	Deep	Both Cutout	304 Stainless Steel
WB-72D30B	72" Epoxy	Deep	Both Cutout	Black
WB-72D30G	72" Epoxy	Deep	Both Cutout	Pearl Gray
WB-72D30M	72" Epoxy	Deep	Both Cutout	Platinum Gray
WB-72D30S	72" Stainless Steel	Deep	Both Cutout	304 Stainless Steel
WB-96D30B	96" Epoxy	Deep	Both Cutout	Black
WB-96D30G	96" Epoxy	Deep	Both Cutout	Pearl Gray
WB-96D30M	96" Epoxy	Deep	Both Cutout	Platinum Gray
WB-96D30S	96" Stainless Steel	Deep	Both Cutout	304 Stainless Steel
WB-120D30B	120" Epoxy	Deep	Both Cutout	Black
WB-120D30G	120" Epoxy	Deep	Both Cutout	Pearl Gray
WB-120D30M	120" Epoxy	Deep	Both Cutout	Platinum Gray
WB-120D30S	120" Stainless Steel	Deep	Both Cutout	304 Stainless Steel
WB-144D30B	144" Epoxy	Deep	Both Cutout	Black
WB-144D30G	144" Epoxy	Deep	Both Cutout	Pearl Gray
WB-144D30M	144" Epoxy	Deep	Both Cutout	Platinum Gray
WB-144D30S	144" Stainless Steel	Deep	Both Cutout	304 Stainless Steel

Fume Hood Accessories - Worktops**ADA Worktop - With Left Front Cupsink**

WAL-48B	48" ADA Epoxy	Left Front Cutout	Black
WAL-48G	48" ADA Epoxy	Left Front Cutout	Pearl Gray
WAL-48M	48" ADA Epoxy	Left Front Cutout	Platinum Gray
WAL-48S	48" ADA Stainless Steel	Left Front Cutout	304 Stainless Steel
WAL-60B	60" ADA Epoxy	Left Front Cutout	Black
WAL-60G	60" ADA Epoxy	Left Front Cutout	Pearl Gray
WAL-60M	60" ADA Epoxy	Left Front Cutout	Platinum Gray
WAL-60S	60" ADA Stainless Steel	Left Front Cutout	304 Stainless Steel
WAL-72B	72" ADA Epoxy	Left Front Cutout	Black
WAL-72G	72" ADA Epoxy	Left Front Cutout	Pearl Gray
WAL-72M	72" ADA Epoxy	Left Front Cutout	Platinum Gray
WAL-72S	72" ADA Stainless Steel	Left Front Cutout	304 Stainless Steel
WAL-96B	96" ADA Epoxy	Left Front Cutout	Black
WAL-96G	96" ADA Epoxy	Left Front Cutout	Pearl Gray
WAL-96M	96" ADA Epoxy	Left Front Cutout	Platinum Gray
WAL-96S	96" ADA Stainless Steel	Left Front Cutout	304 Stainless Steel

ADA Worktop – With Right Front Cupsink

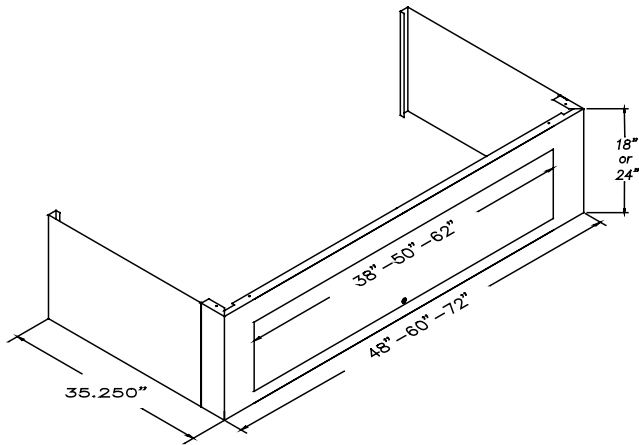
WAR-48B	48" ADA Epoxy	Right Front Cutout	Black
WAR-48G	48" ADA Epoxy	Right Front Cutout	Pearl Gray
WAR-48M	48" ADA Epoxy	Right Front Cutout	Platinum Gray
WAR-48S	48" ADA Stainless Steel	Right Front Cutout	304 Stainless Steel
WAR-60B	60" ADA Epoxy	Right Front Cutout	Black
WAR-60G	60" ADA Epoxy	Right Front Cutout	Pearl Gray
WAR-60M	60" ADA Epoxy	Right Front Cutout	Platinum Gray
WAR-60S	60" ADA Stainless Steel	Right Front Cutout	304 Stainless Steel
WAR-72B	72" ADA Epoxy	Right Front Cutout	Black
WAR-72G	72" ADA Epoxy	Right Front Cutout	Pearl Gray
WAR-72M	72" ADA Epoxy	Right Front Cutout	Platinum Gray
WAR-72S	72" ADA Stainless Steel	Right Front Cutout	304 Stainless Steel
WAR-96B	96" ADA Epoxy	Right Front Cutout	Black
WAR-96G	96" ADA Epoxy	Right Front Cutout	Pearl Gray
WAR-96M	96" ADA Epoxy	Right Front Cutout	Platinum Gray
WAR-96S	96" ADA Stainless Steel	Right Front Cutout	304 Stainless Steel

Fume Hood Accessories - Worktops**ADA Worktop - With Both Front Cupsink**

WAB-48B	48" ADA Epoxy	Both Cutout	Black
WAB-48G	48" ADA Epoxy	Both Cutout	Pearl Gray
WAB-48M	48" ADA Epoxy	Both Cutout	Platinum Gray
WAB-48S	48" ADA Stainless Steel	Both Cutout	304 Stainless Steel
WAB-60B	60" ADA Epoxy	Both Cutout	Black
WAB-60G	60" ADA Epoxy	Both Cutout	Pearl Gray
WAB-60M	60" ADA Epoxy	Both Cutout	Platinum Gray
WAB-60S	60" ADA Stainless Steel	Both Cutout	304 Stainless Steel
WAB-72B	72" ADA Epoxy	Both Cutout	Black
WAB-72G	72" ADA Epoxy	Both Cutout	Pearl Gray
WAB-72M	72" ADA Epoxy	Both Cutout	Platinum Gray
WAB-72S	72" ADA Stainless Steel	Both Cutout	304 Stainless Steel
WAB-96B	96" ADA Epoxy	Both Cutout	Black
WAB-96G	96" ADA Epoxy	Both Cutout	Pearl Gray
WAB-96M	96" ADA Epoxy	Both Cutout	Platinum Gray
WAB-96S	96" ADA Stainless Steel	Both Cutout	304 Stainless Steel

Ceiling Soffit Diagrams

Ceiling Soffit with Hinged Access Panel

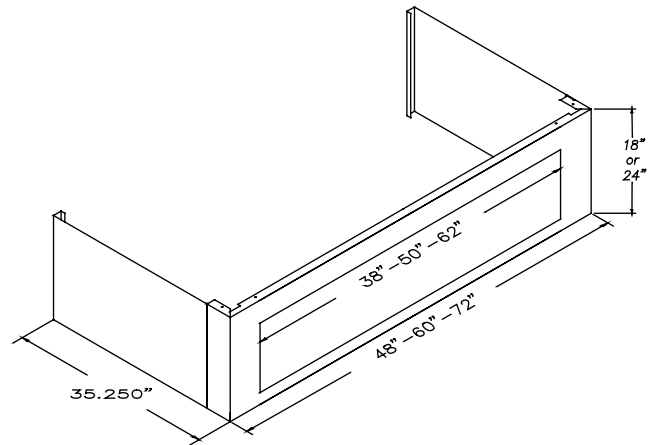


Hinged Access Panel units come with a SouthCo Hex Key Latch and wire pull.

Example: CE048P-HA-18

Hinged Panel Soffit, Painted, 48" width x 18" height

Ceiling Soffit with Removable Access Panel

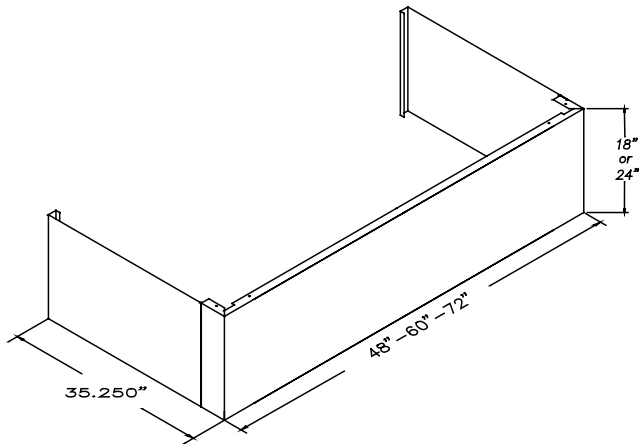


Removable Access Panels are held in place by screws.

Example: CE0120P-RA-24

Removable Panel Soffit, Painted, 120" width x 24" height (Two 60" soffits adjoined)

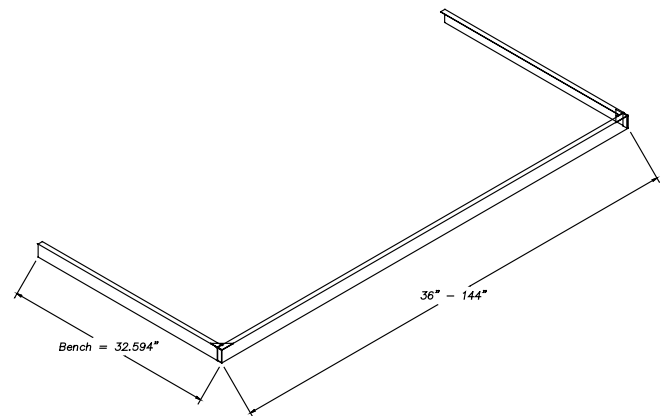
Ceiling Soffit without Access Panel



Example: CE72S-NA-18

No Access Panel Soffit, Stainless Steel, 72" width x 18" height

Ceiling Soffit Trim



Example: CETRIM-P96

Hinged Panel Soffit, Painted, 96" width

*NOTE: For soffits wider than 96" there will be two (2) soffits adjacent of the appropriate size. For example: 144" Fume hood, two (2) 72" soffits adjoined. Please allow clearance height for the soffit so as not to have the ceiling height lower than the hinged point of the access panel to prevent opening.

Fume Hood Accessories - Ceiling Soffits**Ceiling Soffits - With Hinged Access Panel****Painted Soffit Units**

CE036P-HA-18	36" Soffit	Hinged	18" Height
CE036P-HA-24	36" Soffit	Hinged	24" Height
CE048P-HA-18	48" Soffit	Hinged	18" Height
CE048P-HA-24	48" Soffit	Hinged	24" Height
CE060P-HA-18	60" Soffit	Hinged	18" Height
CE060P-HA-24	60" Soffit	Hinged	24" Height
CE072P-HA-18	72" Soffit	Hinged	18" Height
CE072P-HA-24	72" Soffit	Hinged	24" Height
CE096P-HA-18	96" Soffit	Hinged	18" Height
CE096P-HA-24	96" Soffit	Hinged	24" Height
CE120P-HA-18	120" Soffit	Hinged	18" Height
CE120P-HA-24	120" Soffit	Hinged	24" Height
CE144P-HA-18	144" Soffit	Hinged	18" Height
CE144P-HA-24	144" Soffit	Hinged	24" Height

304 Stainless Steel Soffit Units

CE036S-HA-18	36" Soffit	Hinged	18" Height
CE036S-HA-24	36" Soffit	Hinged	24" Height
CE048S-HA-18	48" Soffit	Hinged	18" Height
CE048S-HA-24	48" Soffit	Hinged	24" Height
CE060S-HA-18	60" Soffit	Hinged	18" Height
CE060S-HA-24	60" Soffit	Hinged	24" Height
CE072S-HA-18	72" Soffit	Hinged	18" Height
CE072S-HA-24	72" Soffit	Hinged	24" Height
CE096S-HA-18	96" Soffit	Hinged	18" Height
CE096S-HA-24	96" Soffit	Hinged	24" Height
CE120S-HA-18	120" Soffit	Hinged	18" Height
CE120S-HA-24	120" Soffit	Hinged	24" Height
CE144S-HA-18	144" Soffit	Hinged	18" Height
CE144S-HA-24	144" Soffit	Hinged	24" Height

Ceiling Soffits – With Removable Access Panel

Painted Soffit Units

CE036P-RA-18	36" Soffit	Removable	18" Height
CE036P-RA-24	36" Soffit	Removable	24" Height
CE048P-RA-18	48" Soffit	Removable	18" Height
CE048P-RA-24	48" Soffit	Removable	24" Height
CE060P-RA-18	60" Soffit	Removable	18" Height
CE060P-RA-24	60" Soffit	Removable	24" Height
CE072P-RA-18	72" Soffit	Removable	18" Height
CE072P-RA-24	72" Soffit	Removable	24" Height
CE096P-RA-18	96" Soffit	Removable	18" Height
CE096P-RA-24	96" Soffit	Removable	24" Height
CE120P-RA-18	120" Soffit	Removable	18" Height
CE120P-RA-24	120" Soffit	Removable	24" Height
CE144P-RA-18	144" Soffit	Removable	18" Height
CE144P-RA-24	144" Soffit	Removable	24" Height

304 Stainless Steel Soffit Units

CE036S-RA-18	36" Soffit	Removable	18" Hgt
CE036S-RA-24	36" Soffit	Removable	24" Hgt
CE048S-RA-18	48" Soffit	Removable	18" Hgt
CE048S-RA-24	48" Soffit	Removable	24" Hgt
CE060S-RA-18	60" Soffit	Removable	18" Hgt
CE060S-RA-24	60" Soffit	Removable	24" Hgt
CE072S-RA-18	72" Soffit	Removable	18" Hgt
CE072S-RA-24	72" Soffit	Removable	24" Hgt
CE096S-RA-18	96" Soffit	Removable	18" Hgt
CE096S-RA-24	96" Soffit	Removable	24" Hgt
CE120S-RA-18	120" Soffit	Removable	18" Hgt
CE120S-RA-24	120" Soffit	Removable	24" Hgt
CE144S-RA-18	144" Soffit	Removable	18" Hgt
CE144S-RA-24	144" Soffit	Removable	24" Hgt

Fume Hood Accessories - Ceiling Soffits**Ceiling Soffits - Without Access Panel****Painted Soffit Units**

CE036P-NA-18	36" Soffit	No Access	18" Height
CE036P-NA-24	36" Soffit	No Access	24" Height
CE048P-NA-18	48" Soffit	No Access	18" Height
CE048P-NA-24	48" Soffit	No Access	24" Height
CE060P-NA-18	60" Soffit	No Access	18" Height
CE060P-NA-24	60" Soffit	No Access	24" Height
CE072P-NA-18	72" Soffit	No Access	18" Height
CE072P-NA-24	72" Soffit	No Access	24" Height
CE096P-NA-18	96" Soffit	No Access	18" Height
CE096P-NA-24	96" Soffit	No Access	24" Height
CE120P-NA-18	120" Soffit	No Access	18" Height
CE120P-NA-24	120" Soffit	No Access	24" Height
CE144P-NA-18	144" Soffit	No Access	18" Height
CE144P-NA-24	144" Soffit	No Access	24" Height

304 Stainless Steel Soffit Units

CE036S-NA-18	36" Soffit	No Access	18" Height
CE036S-NA-24	36" Soffit	No Access	24" Height
CE048S-NA-18	48" Soffit	No Access	18" Height
CE048S-NA-24	48" Soffit	No Access	24" Height
CE060S-NA-18	60" Soffit	No Access	18" Height
CE060S-NA-24	60" Soffit	No Access	24" Height
CE072S-NA-18	72" Soffit	No Access	18" Height
CE072S-NA-24	72" Soffit	No Access	24" Height
CE096S-NA-18	96" Soffit	No Access	18" Height
CE096S-NA-24	96" Soffit	No Access	24" Height
CE120S-NA-18	120" Soffit	No Access	18" Height
CE120S-NA-24	120" Soffit	No Access	24" Height
CE144S-NA-18	144" Soffit	No Access	18" Height
CE144S-NA-24	144" Soffit	No Access	24" Height

Ceiling Soffit Trim

Painted Trim Units

CETRIM-P36	36" Ceiling Soffit Trim	Painted
CETRIM-P48	48" Ceiling Soffit Trim	Painted
CETRIM-P60	60" Ceiling Soffit Trim	Painted
CETRIM-P72	72" Ceiling Soffit Trim	Painted
CETRIM-P96	96" Ceiling Soffit Trim	Painted
CETRIM-P120	120" Ceiling Soffit Trim	Painted
CETRIM-P144	144" Ceiling Soffit Trim	Painted

304 Stainless Steel Trim Units

CETRIM-S36	36" Ceiling Soffit Trim	304 Stainless Steel
CETRIM-S48	48" Ceiling Soffit Trim	304 Stainless Steel
CETRIM-S60	60" Ceiling Soffit Trim	304 Stainless Steel
CETRIM-S72	72" Ceiling Soffit Trim	304 Stainless Steel
CETRIM-S96	96" Ceiling Soffit Trim	304 Stainless Steel
CETRIM-S120	120" Ceiling Soffit Trim	304 Stainless Steel
CETRIM-S144	144" Ceiling Soffit Trim	304 Stainless Steel

Fume Hood Accessories – Replacement Fascias & Side Panels**Replacement Fascias & Side Panels****FOR HOOD SERIES: F-100 – 103, F-181-2 – 183-4, F-400 – 403, F-703, F-971**

1-FS01 Replace Painted Fascias 304 Stainless Steel

FOR HOOD SERIES: F-170 – 173

17-FS01 Replace Painted Fascias (4) 304 Stainless Steel

FOR HOOD SERIES: F-200 – 203, F-250 – 253, F-803

2-FS01 Replace Painted Fascias 304 Stainless Steel

FOR HOOD SERIES: F-292

29-FS01 Replace Painted Fascias (4) 304 Stainless Steel

FOR HOOD SERIES: F-500 – 503

4-FS01 Replace Painted Fascias 316 Stainless Steel

FOR HOOD SERIES: F-600 – 603

6-FS01 Replace Painted Fascias 304 Stainless Steel

FOR HOOD SERIES: F-900 – 901, F-960 – 961, F-301

9-FS01 Replace Painted Fascias 304 Stainless Steel

FOR HOOD SERIES: F-100 – 103, F-170 – 173, F-181-2 – 183-4, F-400 – 403, F-703, F-971

1-NS01 Replace Painted Side Panels 304 Stainless Steel

FOR HOOD SERIES: F-200 – 203, F-803

2-NS01 Replace Painted Side Panels 304 Stainless Steel

FOR HOOD SERIES: F-250 – 253, F-292

25-NS01 Replace Painted Side Panels 304 Stainless Steel

FOR HOOD SERIES: F-500 – 503

4-NS01 Replace Painted Side Panels 316 Stainless Steel

FOR HOOD SERIES: F-600 – 603

6-NS01 Replace Painted Side Panels 304 Stainless Steel

FOR HOOD SERIES: F-900 – 901, F-960 – 961, F-301

9-NS01 Replace Painted Side Panels 304 Stainless Steel

**Replacement Tempered Sash Glass with Laminated Glass
(Frameless Vertical Sash Hoods)**

FOR HOOD SERIES: F-100, F-400, F-500

1-GV36	36" Hood	Replacement Tempered with Laminated
1-GV48	48" Hood	Replacement Tempered with Laminated
1-GV60	60" Hood	Replacement Tempered with Laminated
1-GV72	72" Hood	Replacement Tempered with Laminated
1-GV96	96" Hood	Replacement Tempered with Laminated

FOR HOOD SERIES: F-170

17-GV96	96" Hood	Replacement Tempered with Laminated
17-GV120	120" Hood	Replacement Tempered with Laminated
17-GV144	144" Hood	Replacement Tempered with Laminated

FOR HOOD SERIES: F-200, 250

2-GV48	48" Hood	Replacement Tempered with Laminated
2-GV60	60" Hood	Replacement Tempered with Laminated
2-GV72	72" Hood	Replacement Tempered with Laminated
2-GV96	96" Hood	Replacement Tempered with Laminated

FOR HOOD SERIES: F-600

6-GV36	36" Hood	Replacement Tempered with Laminated
6-GV48	48" Hood	Replacement Tempered with Laminated
6-GV60	60" Hood	Replacement Tempered with Laminated
6-GV72	72" Hood	Replacement Tempered with Laminated
6-GV96	96" Hood	Replacement Tempered with Laminated

*Note: F-900 – 901 and F-960 – 961 fume hoods come with laminated glass only.



Fume Hood Accessories – Sash Options**Replacement Tempered Sash Glass with Laminated Glass
(Combination Sash Hoods)****FOR HOOD SERIES: F-101, F-401, F-501, F-971**

1-GC48	48" Hood	Replacement Tempered with Laminated
1-GC60	60" Hood	Replacement Tempered with Laminated
1-GC72	72" Hood	Replacement Tempered with Laminated
1-GC96	96" Hood	Replacement Tempered with Laminated
1-GC120	120" Hood	Replacement Tempered with Laminated
1-GC144	144" Hood	Replacement Tempered with Laminated

FOR HOOD SERIES: F-171

17-GC96	96" Hood	Replacement Tempered with Laminated
17-GC120	120" Hood	Replacement Tempered with Laminated
17-GC144	144" Hood	Replacement Tempered with Laminated

FOR HOOD SERIES: F-181-2

18-2-GC96	96" Hood	Replacement Tempered with Laminated
18-2-GC120	120" Hood	Replacement Tempered with Laminated
18-2-GC144	144" Hood	Replacement Tempered with Laminated

FOR HOOD SERIES: F-201, F-251

2-GC48	48" Hood	Replacement Tempered with Laminated
2-GC60	60" Hood	Replacement Tempered with Laminated
2-GC72	72" Hood	Replacement Tempered with Laminated
2-GC96	96" Hood	Replacement Tempered with Laminated
2-GC120	120" Hood	Replacement Tempered with Laminated
2-GC144	144" Hood	Replacement Tempered with Laminated

FOR HOOD SERIES: F-601

6-GC48	48" Hood	Replacement Tempered with Laminated
6-GC60	60" Hood	Replacement Tempered with Laminated
6-GC72	72" Hood	Replacement Tempered with Laminated
6-GC96	96" Hood	Replacement Tempered with Laminated

*Note: F-900 – 901 and F-960 – 961 fume hoods come with laminated glass only.

**Replacement Tempered Sash Glass with Laminated Glass
(Framed Vertical Sash Hoods)**

FOR HOOD SERIES: F-103, F-403, F-503

1-GF36	36" Hood	Replacement Tempered with Laminated
1-GF48	48" Hood	Replacement Tempered with Laminated
1-GF60	60" Hood	Replacement Tempered with Laminated
1-GF72	72" Hood	Replacement Tempered with Laminated
1-GF96	96" Hood	Replacement Tempered with Laminated

FOR HOOD SERIES: F-173

17-GF96	96" Hood	Replacement Tempered with Laminated
17-GF120	120" Hood	Replacement Tempered with Laminated
17-GF144	144" Hood	Replacement Tempered with Laminated

FOR HOOD SERIES: F-183-2

18-2-GF96	96" Hood	Replacement Tempered with Laminated
18-2-GF120	120" Hood	Replacement Tempered with Laminated
18-2-GF144	144" Hood	Replacement Tempered with Laminated

FOR HOOD SERIES: F-183-4

18-4-GF120	120" Hood	Replacement Tempered with Laminated
18-4-GF144	144" Hood	Replacement Tempered with Laminated

*Note: F-900 – 901 and F-960 – 961 fume hoods come with laminated glass only.



Fume Hood Accessories – Sash Options**Replacement Tempered Sash Glass with Laminated Glass
(Framed Vertical Sash Hoods)****FOR HOOD SERIES: F-203, F-253**

2-GF48	48" Hood	Replacement Tempered with Laminated
2-GF60	60" Hood	Replacement Tempered with Laminated
2-GF72	72" Hood	Replacement Tempered with Laminated
2-GF96	96" Hood	Replacement Tempered with Laminated
2-GF120	120" Hood	Replacement Tempered with Laminated
2-GF144	144" Hood	Replacement Tempered with Laminated

FOR HOOD SERIES: F-603

6-GF36	36" Hood	Replacement Tempered with Laminated
6-GF48	48" Hood	Replacement Tempered with Laminated
6-GF60	60" Hood	Replacement Tempered with Laminated
6-GF72	72" Hood	Replacement Tempered with Laminated
6-GF96	96" Hood	Replacement Tempered with Laminated

FOR HOOD SERIES: F-703

7-GF36	36" Hood	Replacement Tempered with Laminated
7-GF48	48" Hood	Replacement Tempered with Laminated
7-GF60	60" Hood	Replacement Tempered with Laminated
7-GF72	72" Hood	Replacement Tempered with Laminated
7-GF96	96" Hood	Replacement Tempered with Laminated

FOR HOOD SERIES: F-803

8-GF48	48" Hood	Replacement Tempered with Laminated
8-GF60	60" Hood	Replacement Tempered with Laminated
8-GF72	72" Hood	Replacement Tempered with Laminated
8-GF96	96" Hood	Replacement Tempered with Laminated
8-GF120	120" Hood	Replacement Tempered with Laminated
8-GF144	144" Hood	Replacement Tempered with Laminated

**Replacement Tempered Sash Glass with Laminated Glass
(Horizontal Sash Hoods)**

FOR HOOD SERIES: F-102

1-GH48	48" Hood	Replacement Tempered with Laminated
1-GH60	60" Hood	Replacement Tempered with Laminated
1-GH72	72" Hood	Replacement Tempered with Laminated
1-GH96	96" Hood	Replacement Tempered with Laminated

FOR HOOD SERIES: F-202, F-252

2-GH48	48" Hood	Replacement Tempered with Laminated
2-GH60	60" Hood	Replacement Tempered with Laminated
2-GH72	72" Hood	Replacement Tempered with Laminated
2-GH96	96" Hood	Replacement Tempered with Laminated
2-GH120	120" Hood	Replacement Tempered with Laminated
2-GH144	144" Hood	Replacement Tempered with Laminated

FOR HOOD SERIES: F-292

29-GH72	72" Hood	Replacement Tempered with Laminated
29-GH96	96" Hood	Replacement Tempered with Laminated
29-GH120	120" Hood	Replacement Tempered with Laminated
29-GH144	144" Hood	Replacement Tempered with Laminated

FOR HOOD SERIES: F-602

6-GH48	48" Hood	Replacement Tempered with Laminated
6-GH60	60" Hood	Replacement Tempered with Laminated
6-GH72	72" Hood	Replacement Tempered with Laminated
6-GH96	96" Hood	Replacement Tempered with Laminated

Fume Hood Accessories – Special Options

Monitor/Alarms

M01-A200	Monitor/Alarm	Velocity	Alnor-200	
M01-A200-L	Monitor/Alarm	Velocity	Alnor-200	Loose
M01-A385	Monitor/Alarm	Velocity	Alnor-385	
M01-A385-L	Monitor/Alarm	Velocity	Alnor-385	Loose
M01-J	Monitor/Alarm	Velocity	Jamestown	
M01-J-L	Monitor/Alarm	Velocity	Jamestown	Loose
M01-T	Monitor/Alarm	Velocity	Tel 1000	
M01-T-L	Monitor/Alarm	Velocity	Tel 1000	Loose
M01-T500	Monitor/Alarm	Velocity	Tel 500	
M01-T500-L	Monitor/Alarm	Velocity	Tel 500	Loose
M02	Monitor/Alarm	Vapor Detector	Jamestown	
M02-L	Monitor/Alarm	Vapor Detector	Jamestown	Loose



M01



M02

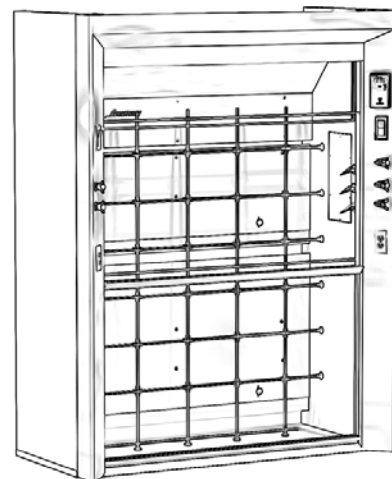
*Note: Alarm must be located on the fascia panel and always above the clear sash opening.

Pressure Gauges

M03-0	Magnehelic Pressure Gauge 0 – 1/2" Wg	Mounted
M03-1	Magnehelic Pressure Gauge 0 – 1" Wg	Mounted
M03-2	Magnehelic Pressure Gauge 0 – 2" Wg	Mounted
M03-3	Magnehelic Pressure Gauge 0 – 3" Wg	Mounted

Distillation Racks

DB-36	36" Distillation Rack	Bench
DB-36T304	36" Distillation Rack	Bench
DB-36T316	36" Distillation Rack	Bench
DB-48	48" Distillation Rack	Bench
DB-48T316	48" Distillation Rack	Bench
DB-60	60" Distillation Rack	Bench
DB-60T316	60" Distillation Rack	Bench
DB-72	72" Distillation Rack	Bench
DB-72T316	72" Distillation Rack	Bench
DB-96	96" Distillation Rack	Bench
DB-96T316	96" Distillation Rack	Bench
DW-48	48" Distillation Rack	Walk-In
DW-60	60" Distillation Rack	Walk-In
DW-72	72" Distillation Rack	Walk-In
DW-96	96" Distillation Rack	Walk-In



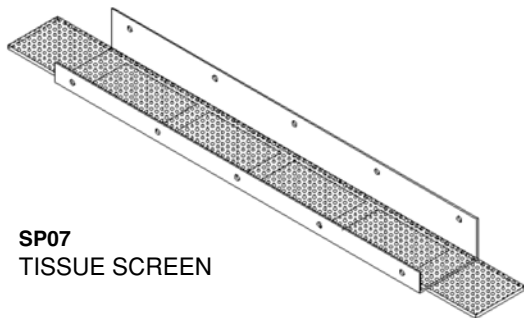
1/2" aluminum rods with connectors.

*Note: The number of horizontal and vertical rods vary between Bench Hoods and Walk-Ins.

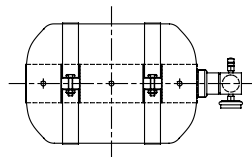
Fume Hood Accessories – Special Options

Special Options

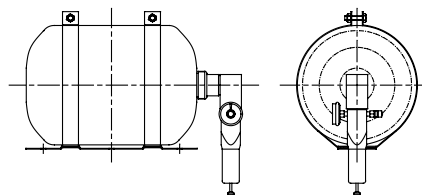
SP01	Gravity Sash Stops (set of 2)		
SP02	Label	Face 100 CFM	
SP03	Label	Face Velocity	
SP04-2	Steam Bath	2 Rings, 5" dia.	
SP04-4	Steam Bath	4 Rings, 4" dia.	
SP04-6	Steam Bath	6 Rings, 5" dia.	
SP04-7	Steam Bath	7 Rings, 5" dia.	
SP04-8	Steam Bath	8 Rings, 5" dia.	
SP05	Fume Hood Fire Extinguisher	Activated Fusible Link	w/ Cable Activated Emergency Shut-off
SP06	Label	Logo etched in glass viewpass panel	
SP07	Tissue Screen	304 Stainless Steel	
SP08	Label	Sash Stop Decal	
SP09	Label	Radiation	
SP10	Fume Hood Fire Extinguisher	with Self Contained Fusible Link	
SP11	Label	Fume Hood Operation Decal	
SP12	Label	Face	Purchased Part Specification
SP13	Label	Face	Set Up Condition, LH
SP13-R	Label	Face	Set Up Condition, RH



SP07
TISSUE SCREEN



SP10
FUME HOOD FIRE EXTINGUISHER

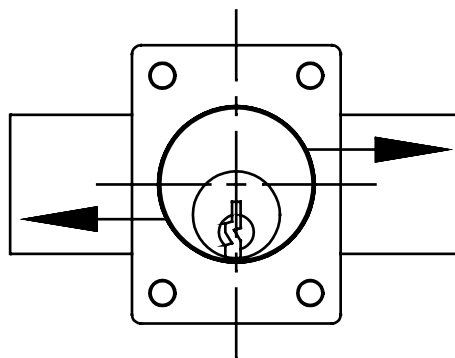


Special Options

SP14	Label	Face	Disability
SP15	Label	Industrial Water – Do Not Drink	
SP16	Dilution Tank	Undercounter	6 Gallon
SP17	Trap	All Way	Adjustable Riser
SP18	Trap	Bottle	Adjustable Riser
SP19	Micro Switch	Sash Detector	
SP20	Lockable Sash Unit		



SP19
MICRO SWITCH (SASH DETECTOR)



SP20
LOCKABLE SASH UNIT

SP21-36	SS, Fume Hood Shelf, 36" W	12" Deep	Bracket and Unistrut Sold Separately
SP21-48	SS, Fume Hood Shelf, 48" W	12" Deep	Bracket and Unistrut Sold Separately
SP21-60	SS, Fume Hood Shelf, 60" W	12" Deep	Bracket and Unistrut Sold Separately
SP21-72	SS, Fume Hood Shelf, 72" W	12" Deep	Bracket and Unistrut Sold Separately
SP21-96	SS, Fume Hood Shelf, 96" W	12" Deep	Bracket and Unistrut Sold Separately

Fume Hood Accessories – Special Options

Special Options

SP26	Polyglass Liner Cleaner	
SP27	Stainless Steel Cleaner	
SP28	Bacterial Disinfectant Cleaner	
SP29	Absolute Filter Housing	
SP30	Label	Remote Control Baffle
SP31	Label	Baffle Slot Size
SP32	Factory Installed TSI-8610	Supplied by Customer
SP37	Air Flow Monitor with High Limit Switch	
SP38	Automatic Sash Return	
SP40	Automatic Sash Open/Close, Single Speed	
SP41	Phoenix, Monitor, FHM-410	
SP42	Phoenix, Potentiometer, VSS-110	
SP43	Mount and Prewire Phoenix Alarm	
SP45	Automatic Sash Open/Close, Dual Speed	
SP45-96-2	Automatic Sash, Dual Postless, 96"	
SP48	Phoenix Monitor, SHM630	
SP50	Automatic Sash Close Only	
SP51	Automatic Sash with Phoenix ZPS Close Only	
SP52	Automatic Sash with Phoenix ZPS Open/Close, Single Speed	
SP53	UPS for JMP Alarms	

Knock-Down Options (KD)

1-KD36	36" Fume Hood	Shipped Knock-Down (KD)
1-KD48	48" Fume Hood	Shipped Knock-Down (KD)
1-KD60	60" Fume Hood	Shipped Knock-Down (KD)
1-KD72	72" Fume Hood	Shipped Knock-Down (KD)
1-KD96	96" Fume Hood	Shipped Knock-Down (KD)
1-KD120	120" Fume Hood	Shipped Knock-Down (KD)
1-KD144	144" Fume Hood	Shipped Knock-Down (KD)

Fume Hood Testing

OTH-0001	ASHRAE Test at Factory	Per Hood
OTH-0002	ASHRAE Test at Job Site	Call for Quote

Fume Hood Accessories – Modifications

Modifications

MOD-0001	Modification	Hole Positions (per fascia)
MOD-0003	Modification	Removable Gasketed Interior
MOD-0004	Modification	VAV Sash Positioning
MOD-0005	Modification	Remote Control Baffle
MOD-0006	Modification	Single Point ADJ. Baffle
MOD-0007	Modification	Non-Metal Hardware in Hood
MOD-0008	Modification	Flanged Duct Transition
MOD-0009	Modification	Square Duct Collar
MOD-0010	Modification	Painted Stainless Lower Air Foil
MOD-0011-4	Modification	4 ft. ADA Stainless Trough
MOD-0011-5	Modification	5 ft. ADA Stainless Trough
MOD-0011-6	Modification	6 ft. ADA Stainless Trough
MOD-0011-8	Modification	8 ft. ADA Stainless Trough
MOD-0012	4" x 6" Plastic Card Holder	
MOD-0013	EW Fiberglass Uni-strut 42" Long	
MOD-0015I	Cylinder Strap Support	Interior
MOD-0015E	Cylinder Strap Support	Exterior
MOD-0016	Stainless Steel Uni-strut P1000	



MOD-017
Pulsegate
Variable Voltage
Power Supply



MOD-018
Varisine
Voltage Regulator

Modifications

MOD-0020	Mod, 48" Bench Finished Hood Back, Painted
MOD-0021	Mod, 60" Bench Finished Hood Back, Painted
MOD-0022	Mod, 72" Bench Finished Hood Back, Painted
MOD-0023	Mod, 96" Bench Finished Hood Back, Painted
MOD-0024	Mod, 120" Bench Finished Hood Back, Painted
MOD-0025	Mod, 144" Bench Finished Hood Back, Painted
MOD-0026	Mod, 48" Walk-In Finished Hood Back, Painted
MOD-0027	Mod, 60" Walk-In Finished Hood Back, Painted
MOD-0028	Mod, 72" Walk-In Finished Hood Back, Painted
MOD-0029	Mod, 96" Walk-In Finished Hood Back, Painted
MOD-0030	Mod, 120" Walk-In Finished Hood Back, Painted
MOD-0031	Mod, 144" Walk-In Finished Hood Back, Painted
MOD-0032	Mod, 48" OS Hgt. Finished Hood Back, Painted
MOD-0033	Mod, 60" OS Hgt. Finished Hood Back, Painted
MOD-0034	Mod, 72" OS Hgt. Finished Hood Back, Painted
MOD-0035	Mod, 96" OS Hgt. Finished Hood Back, Painted
MOD-0036	Seismic brackets, Pair, 14 Gauge, Galvanized, Shipped Loose
MOD-0037	Ceiling Soffit Sides, For 900 and 901 Series FH, 24" Hlgh
MOD-0038	Pre-Mounted Fixtures and Outlets
MOD-0040	Duct Collar, Bell-Shaped Polyethylene, 10" Diameter
MOD-0041	Duct Collar, Bell-Shaped Polyethylene, 12" Diameter

This page was intentionally left blank.