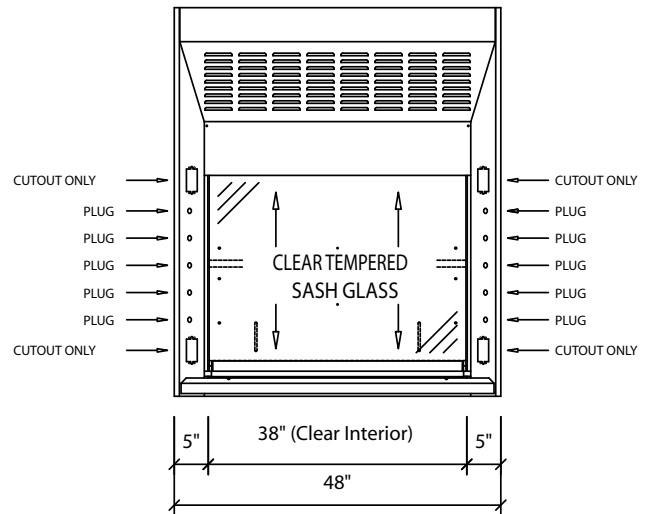
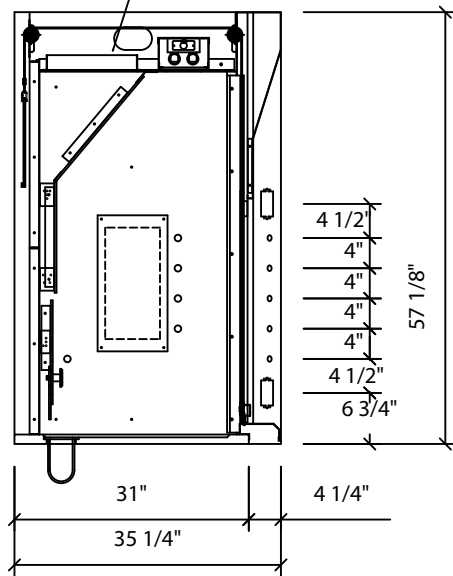


F-K12 – Discovery Hood – Frameless Vertical Sash

- Superior containment performance and years of safe, reliable service at an affordable price
- Full view vertical sash provides complete visual access
- 26 1/2" sash opening ensures easy physical access (measured from top of airfoil to bottom of sash)
- Two tube florescent light fixture for clear illumination
- Superior containment quality provides unmatched safety
- Quality engineering ensures years of reliable service
- Contemporary design for aesthetic quality



10" Dia. DUCT COLLAR
18 Ga. #304 STN.STL.



R.H. INTERIOR
SECTION VIEW

Discovery Hood Features

- Galvanized steel pan superstructure
- Full view tempered safety glass sash
- Full width sash pull
- Direct drive full width counter balanced sash
- PVC sash track
- Bright white polyglass liner
- Adjustable lower baffle
- Fascias pre-punched to accommodate service fixtures or velocity alarm
- Designed and tested to exceed ASHRAE 110-1995 standards

F-K12 Series – Educational Hoods – Ordering Information**F-K12 Series Air Flow Data**

Catalog Number	28" Open @ 100 FPM	18" Open @ 100 FPM
F-K12-48	738 CFM @ .20" SP	475 CFM @ .08" SP
F-K12-60	972 CFM @ .35" SP	625 CFM @ .14" SP
F-K12-72	1205 CFM @ .53" SP	775 CFM @ .22" SP

Discovery Hood Product Numbers

F-K12-48	48" Discovery Fume Hood
F-K12-60	60" Discovery Fume Hood
F-K12-72	72" Discovery Fume Hood

Discovery Hood Series Liner Options

White Polyglass is standard. Please see the **Hood Liners** section for available options.

Discovery Hood Series Electrical Options

Fascia is pre-punched with two electrical cutouts per side. The right fascia is pre-punched for a velocity alarm. Please see the **Electrical Fixtures** section for available options.

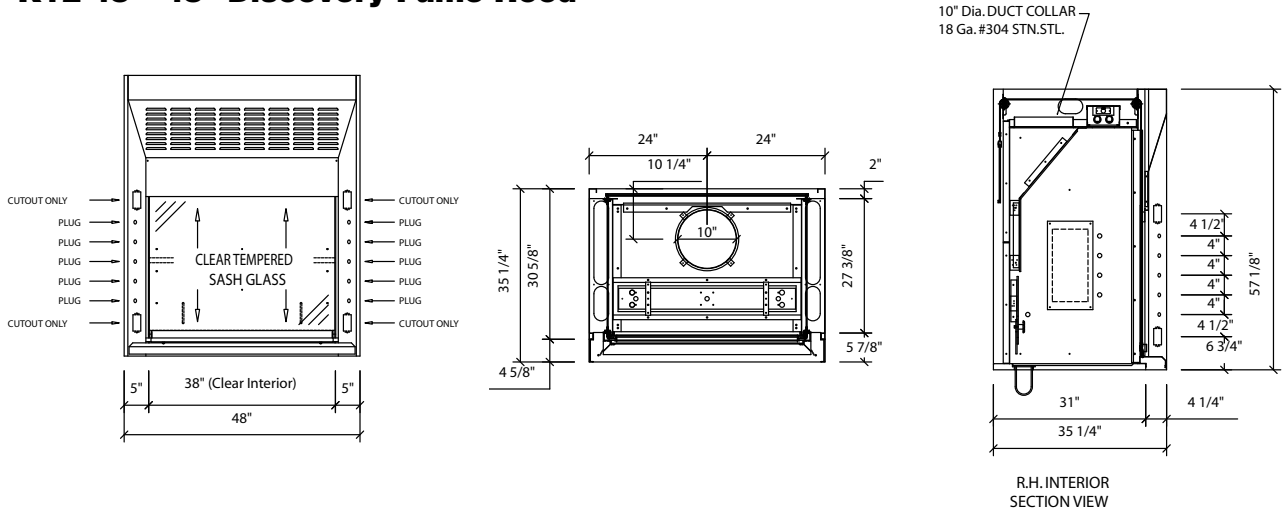
Discovery Hood Series Plumbing Fixtures

Fascia is pre-punched with five 3/4" dia. holes to accept rod driven remote fixtures (ten holes total). Please see the **Plumbing Fixtures** section for available options.

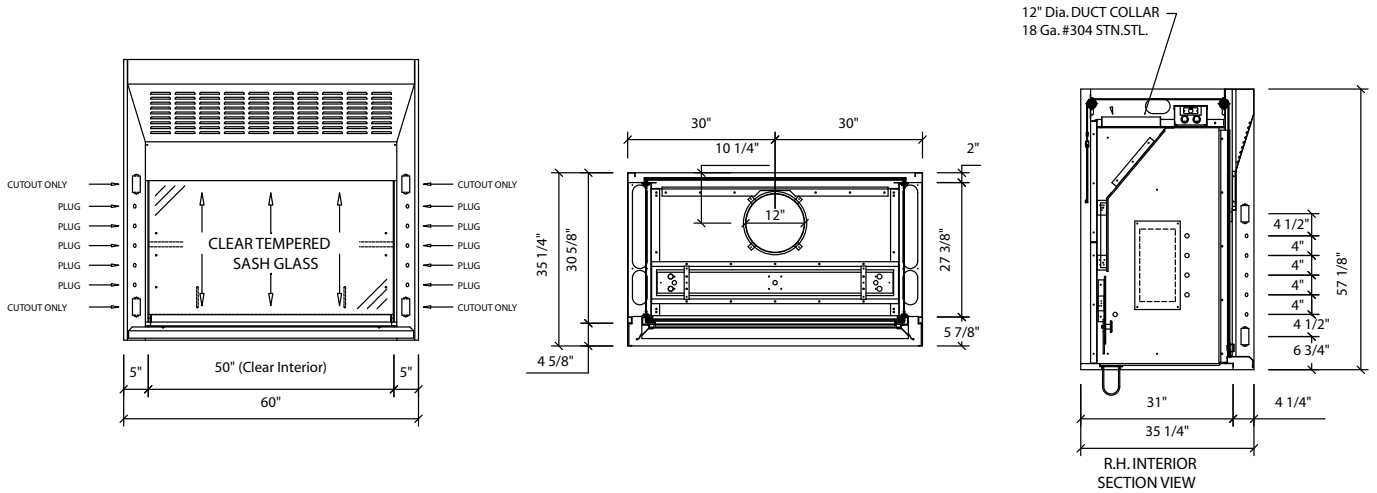
Discovery Hood Series Fume Hood Accessories

Please see the **Fume Hood Accessories** section for available options.

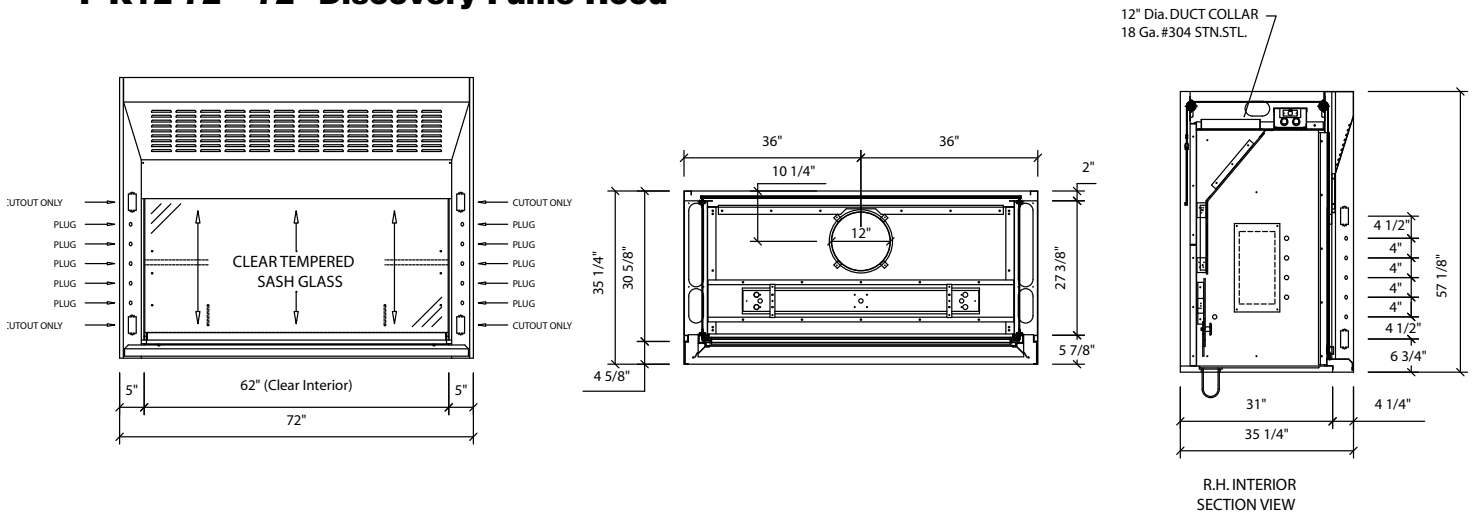
F-K12-48 – 48" Discovery Fume Hood



F-K12-60 – 60" Discovery Fume Hood



F-K12-72 – 72" Discovery Fume Hood

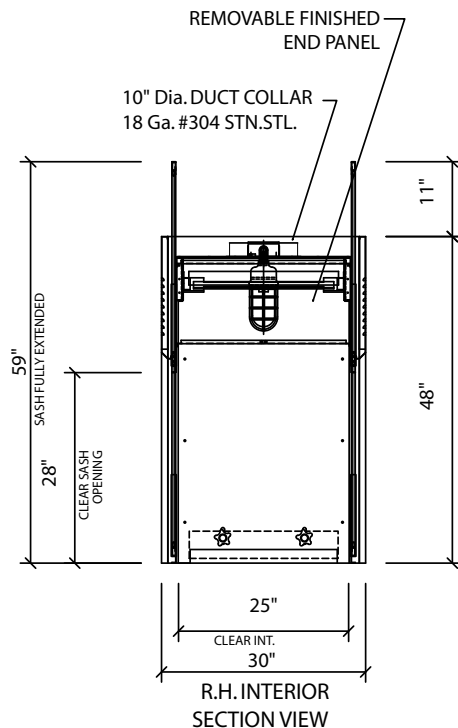
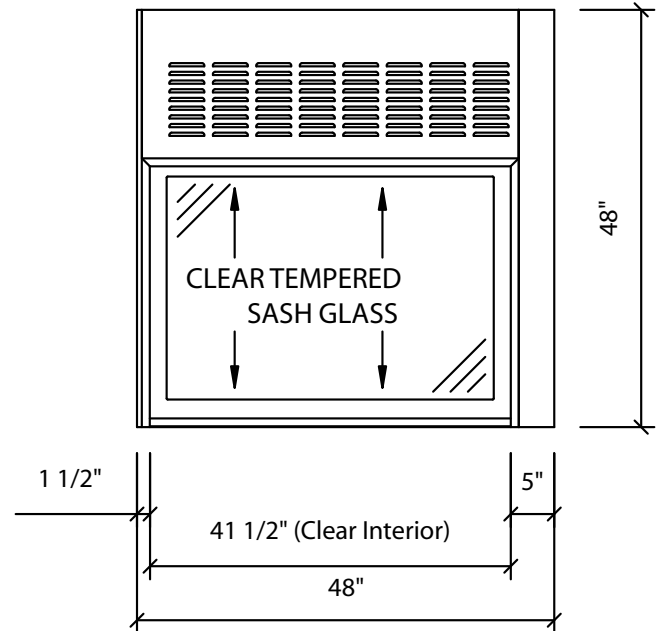


This page was intentionally left blank.

F-121T Bench – Demonstration Hood

The F-121T series of **ISOLATOR** fume hoods combine the features of a traditional FK12 bench hood with the added flexibility of double sided access. Dual rising sashes on either end allow easy access from both sides of the hood. A sash interlock, which allows only one sash to be raised at any given time, is standard on all F-121T models. Hoods may be plumbed and wired for use on both sides.

- Unparalleled user safety
- Full hood access for easy set ups
- Years of maintenance free service
- Unmatched ease of use
- Unique design qualities for unlimited customization possibilities
- Field conversion between Constant Air Volume (CAV) and Variable Air Volume (VAV)
- Hoods available in “Knock Down” (KD) mode for transport and assembly in restricted areas



F-121T Bench Hood – Features

- Unsurpassed containment (designed and tested to exceed ASHRAE 110-1995)
- Unique chain driven sash mechanism that comes with a lifetime warranty
- Galvanized Steel Pan Superstructure
- Transparent Viewpass bypass system
- Stainless steel air foil
- Aerodynamically designed Airplane wing style sash handle enhances the perimeter containment
- Vertical sashes provide the greatest hood interior access
- Full view sash with 26 1/2" opening
- Quality engineering ensures years of reliable service

F-K12 Series – Educational Hoods – Ordering Information**F-121T Bench Hood Air Flow Data**

Catalog Number	Duct Diameter	28" Open @ 100 FPM	18" Open @ 100 FPM
F-121T-48	1 : 10"	972 CFM @ .27" SP	625 CFM @ .11" SP
F-121T-60	1 : 10"	972 CFM @ .27" SP	625 CFM @ .11" SP
F-121T-72	1 : 10"	972 CFM @ .27" SP	625 CFM @ .11" SP

F-121T Bench Hood Product Numbers

F-121T-48	48" Bench	Frameless
F-121T-60	60" Bench	Frameless
F-121T-72	72" Bench	Frameless

F-121T Bench Hood Liner Options

White Polyglass is standard. Please see the **Hood Liners** section for available options.

F-121T Bench Hood Electrical Options

Fascia is pre-punched with two electrical cutouts per side. The right fascia is pre-punched for a velocity alarm. Please see the **Electrical Fixtures** section for available options.

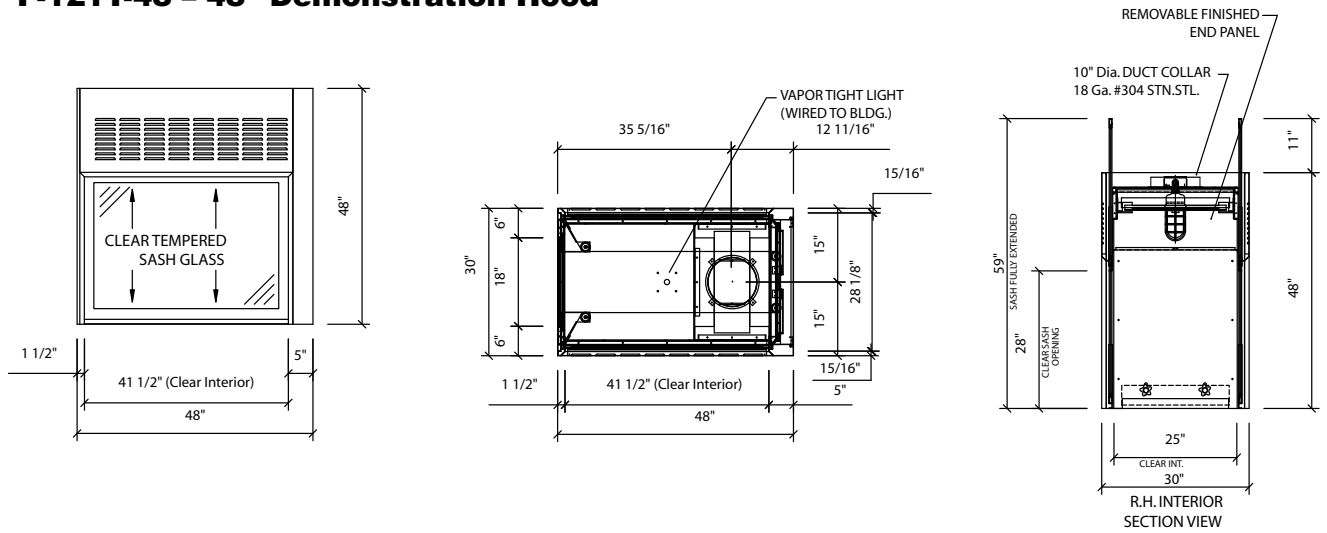
F-121T Bench Hood Plumbing Fixtures

Fascia is pre-punched with five 3/4" dia. holes to accept rod driven remote fixtures (ten holes total). Please see the **Plumbing Fixtures** section for available options.

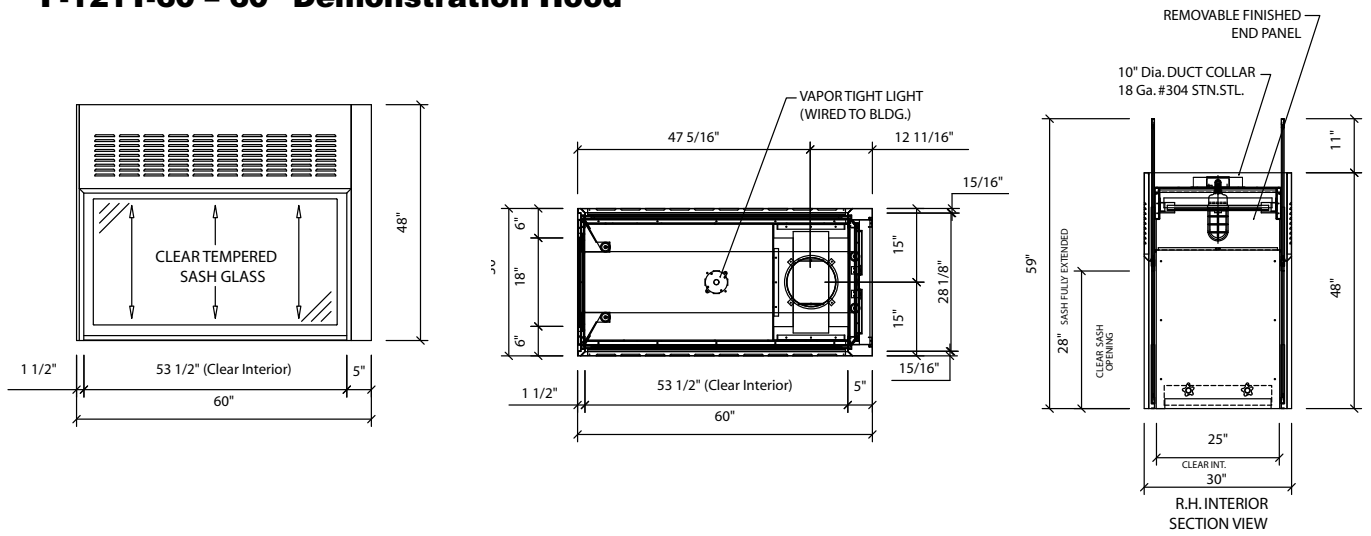
F-121T Bench Hood Fume Hood Accessories

Please see the **Fume Hood Accessories** section for available options.

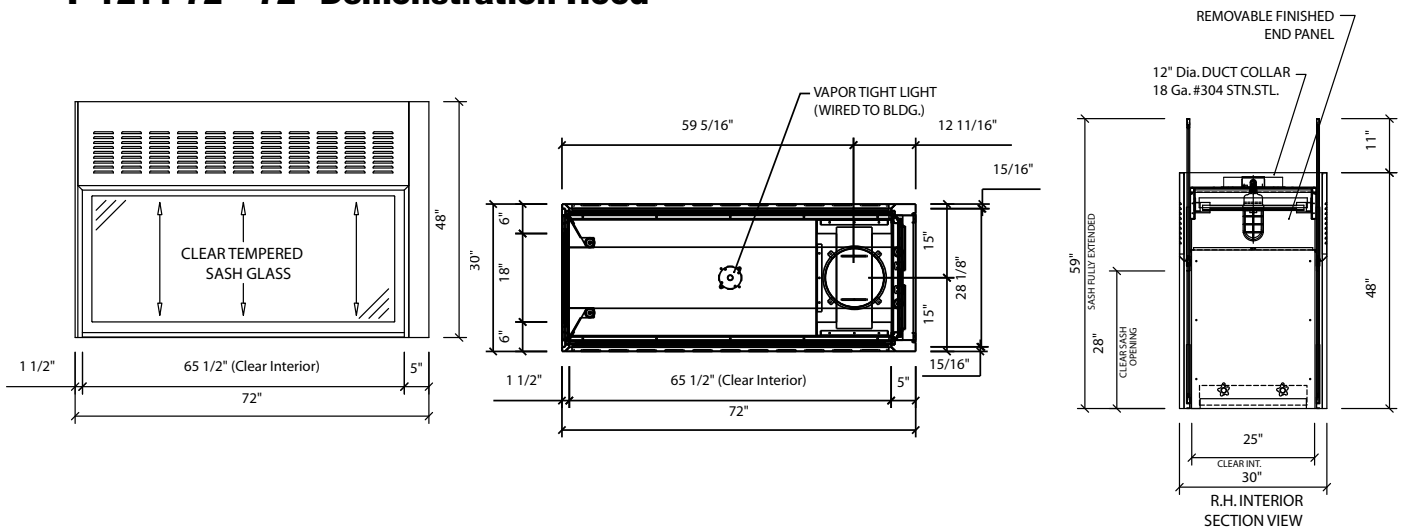
F-121T-48 - 48" Demonstration Hood



F-121T-60 - 60" Demonstration Hood



F-121T-72 - 72" Demonstration Hood

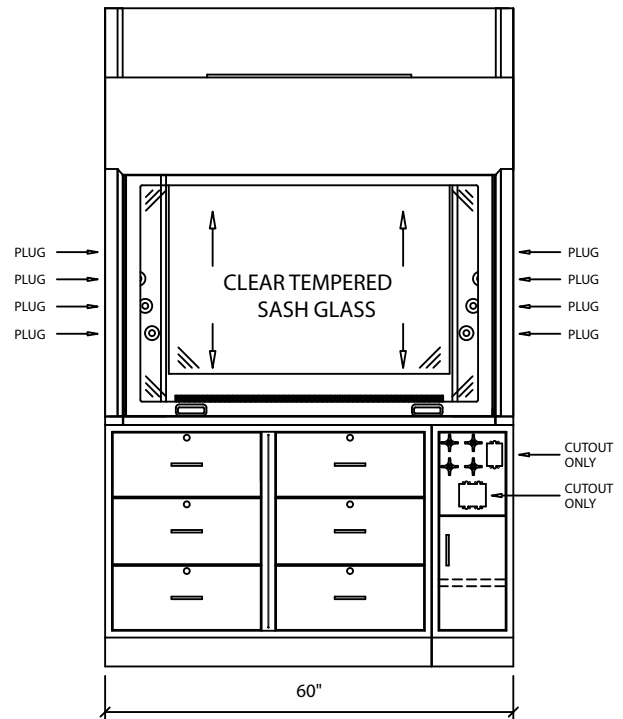


This page was intentionally left blank.

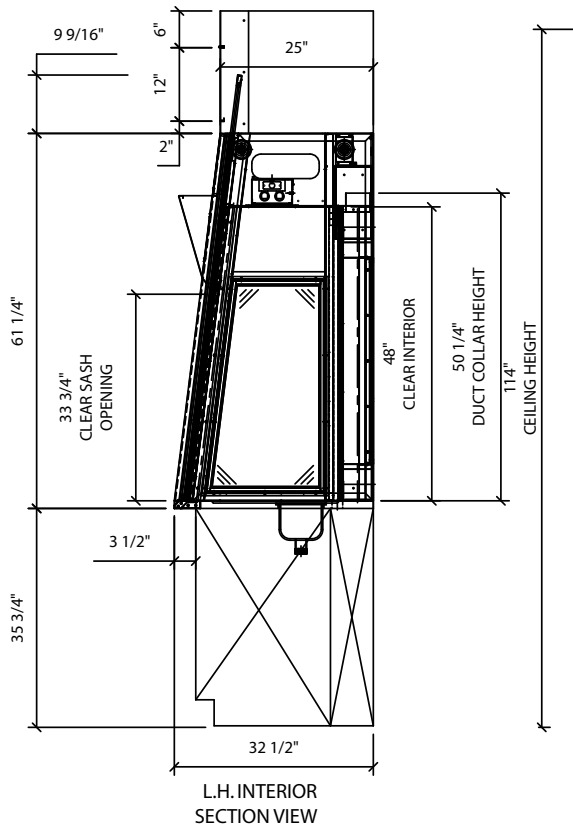
F-EXP Explorer Bench Hood – Framed Sash

The **EXPLORER** series of science fume hoods are designed to support a variety of research in University and K-12 environments. A basic module can be a stand alone unit with a poly-resin rear panel, or combined back-to-back with a glass back panel to create a see through condition. Glass side panels allow instructors to easily monitor activities within the fume hood. Electrical fixtures and Plumbing valves must be contained within the cabinet below.

- Unparalleled user safety
- Full hood access for easy set ups
- Years of maintenance free service
- Unmatched ease of use
- Unique design qualities for unlimited customization possibilities
- Field conversion between Constant Air Volume (CAV) and Variable Air Volume (VAV)
- Hoods available in “Knock Down” (KD) mode for transport and assembly in restricted areas



Note: Casework sold separately.



F-EXP Explorer Bench Hood – Features

- Unsurpassed containment (designed and tested to exceed ASHRAE 110-1995)
- Unique chain driven sash mechanism that comes with a lifetime warranty
- Galvanized Steel Pan Superstructure
- Transparent Viewpass bypass system
- Stainless steel air foil
- Aerodynamically designed Airplane wing style sash handle enhances the perimeter containment
- Vertical sashes provide the greatest hood interior access
- Full view sash with 33 3/4" opening
- Quality engineering ensures years of reliable service

F-K12 Series – Educational Hoods – Ordering Information**F-EXP Explorer Bench Hood Air Flow Data**

Catalog Number	Duct Diameter	28" Vertical Open @ 100 FPM	18" Vertical Open @ 100 FPM
F-EXP-48SIN	1 : 10"	739 CFM @ .32" SP	410 CFM @ .10" SP
F-EXP-48SIN	1 : 10"	1069 CFM @ .40" SP	688 CFM @ .16" SP
F-EXP-48SIN	1 : 12"	1303 CFM @ .59" SP	838 CFM @ .24" SP
F-EXP-60DBL	1 : 12"	2138 CFM @ .80" SP	1376 CFM @ .32" SP
F-EXP-96DBL	2 : 10"	1672 CFM @ .41" SP	1075 CFM @ .17" SP

F-EXP Explorer Bench Hood Product Numbers

F-EXP-48SIN	48" Bench	Framed	
F-EXP-48DBL	48" Bench	Framed	Double sided
F-EXP-60SIN	60" Bench	Framed	
F-EXP-60DBL	60" Bench	Framed	Double sided
F-EXP-72SIN	72" Bench	Framed	
F-EXP-72DBL	48" Bench	Framed	Double sided
F-EXP-96DBL	96" Bench	Framed	Double sided

F-EXP Explorer Bench Hood Liner Options

White Polyglass is standard. Please see the **Hood Liners** section for available options.

F-EXP Explorer Bench Hood Electrical Options

Fascia is pre-punched with two electrical cutouts per side. The right fascia is pre-punched for a velocity alarm. Please see the **Electrical Fixtures** section for available options.

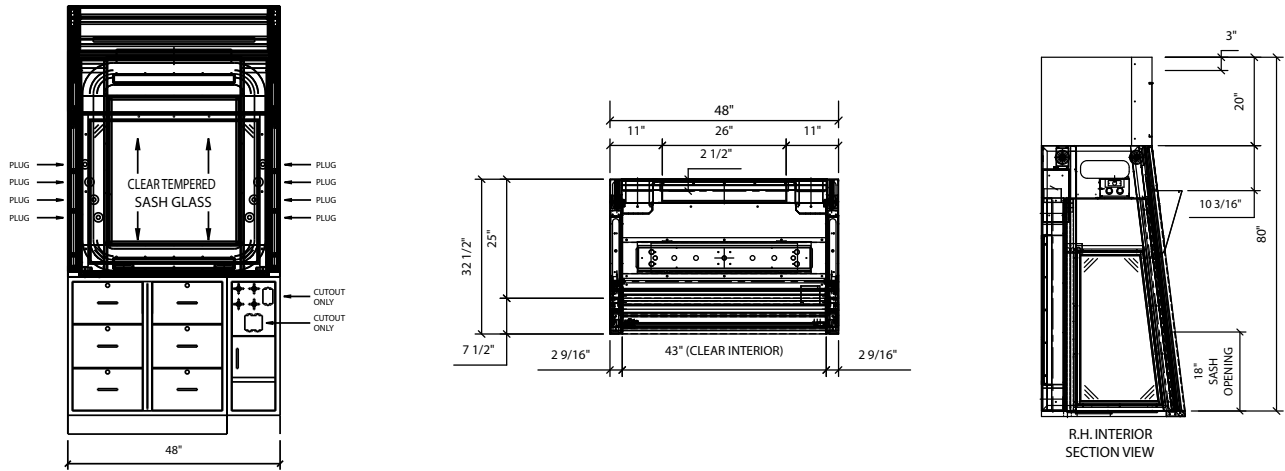
F-EXP Explorer Bench Hood Plumbing Fixtures

Fascia is pre-punched with five 3/4" dia. holes to accept rod driven remote fixtures (ten holes total). Please see the **Plumbing Fixtures** section for available options.

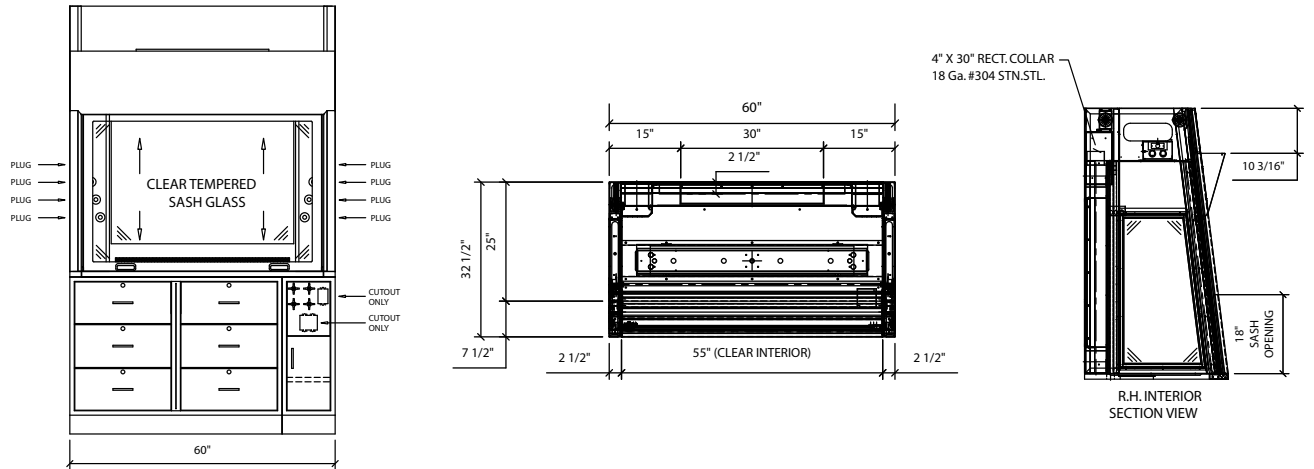
F-EXP Explorer Bench Hood Accessories

Please see the **Fume Hood Accessories** section for available options.

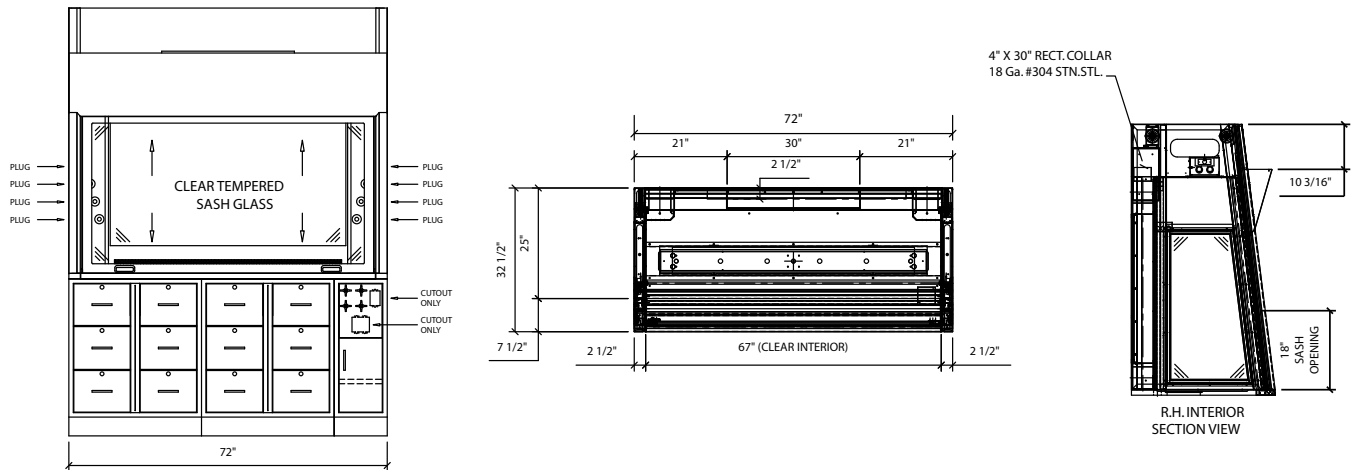
F-EXP-48SIN - 48" Explorer Bench Hood



F-EXP-60SIN - 60" Explorer Bench Hood



F-EXP-72SIN - 72" Explorer Bench Hood



F-K12 Series – Educational Hoods – Product Dimensions

F-EXP-60DBL – 60" Explorer Double-Sided Bench Hood

