

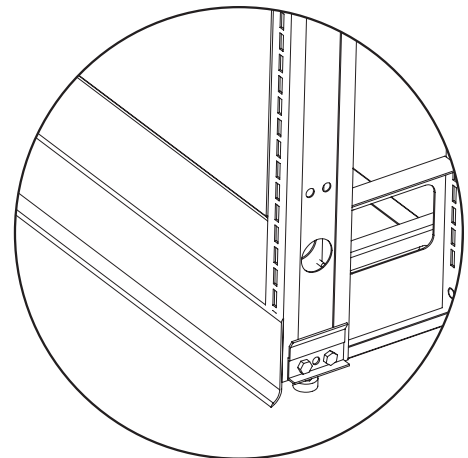
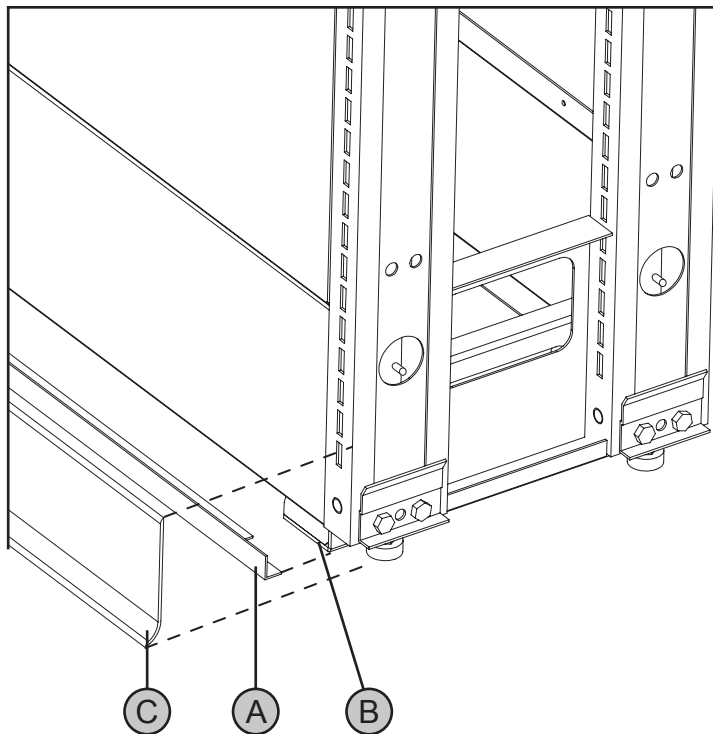


INSTALLATION OF BASE MOLDING AND ANGLE SUPPORT

Tools Required:
Socket Set with 9/16" Socket
9/16" Combination Wrench

Note: Ref. "Attaching Flex Island Core to Core and Floor" Instruction. Floor angle is shipped with core. If floor angle was not installed when the core was installed, follow the following procedure:

1. Loosen anchor bolts attaching the floor clamps to the concrete.
2. Slide the angle support (A) under the floor clamp (B).
3. Locate the vertical face of the angle support flush with the face of the core.
4. Secure the floor angle by re-tightening the anchor bolts and using construction adhesive, double-sided tape or mechanical fastener supplied by installer in the mid-length of the angle (A) to secure it to the floor.
5. Apply base molding (C).



Finished