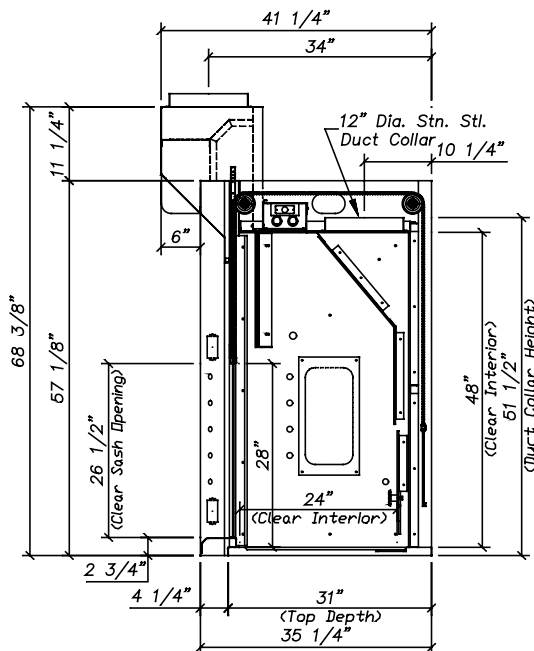


F-703 Add Air (Auxiliary Air) Bench Hood

The **ISOLATOR** OS height bench hood with the frameless vertical sash shares all the capabilities of our F-100 series bench hood. It offers an interior height of 60", as opposed to the standard bench interior height of 48", to accommodate taller apparatus. The **ISOLATOR**'s design and construction enhances its value by providing:

- Unparalleled user safety
- Full hood access for easy set ups
- Years of maintenance free service
- Unmatched ease of use
- Unique design qualities for unlimited customization possibilities
- Field conversion between Constant Air Volume (CAV) and Variable Air Volume (VAV)
- Hoods available in "Knock Down" (KD) mode for transport and assembly in restricted areas



F-703 Add Air Bench Hood Features

- Unsurpassed containment (designed and tested to exceed ASHRAE 110-1995)
- Unique chain driven sash mechanism that comes with a lifetime warranty
- Galvanized steel pan superstructure
- Transparent viewpass bypass system
- Stainless steel air foil
- Vertical sashes provide the greatest hood interior access
- Louvered stainless steel framed sash with 26 1/2" opening
- Quality engineering ensures years of reliable service

F-700 Series – Auxiliary Air Bench Hoods – Ordering Information**F-703 Add Air Bench Hood Air Flow Data**

Catalog Number	Duct Diameter	28" Open @ 100 FPM	18" Open @ 100 FPM
F-703-36	1 : 10"	505 CFM @ .15" SP	325 CFM @ .06" SP
F-703-48	1 : 10"	739 CFM @ .32" SP	475 CFM @ .13" SP
F-703-60	1 : 12"	972 CFM @ .27" SP	625 CFM @ .11" SP
F-703-72	1 : 12"	1205 CFM @ .41" SP	775 CFM @ .17" SP
F-703-96	2 : 10"	1672 CFM @ .41" SP	1075 CFM @ .17" SP

F-703 Add Air Bench Hood Product Numbers

F-703-36	Add Air Bench 36"	Louvered	Framed
F-703-48	Add Air Bench 48"	Louvered	Framed
F-703-60	Add Air Bench 60"	Louvered	Framed
F-703-72	Add Air Bench 72"	Louvered	Framed
F-703-96	Add Air Bench 96"	Louvered	Framed

F-703 Add Air Bench Hood Liner Options

White Polyglass is standard. Please see the **Hood Liners** section for available options.

F-703 Add Air Bench Hood Electrical Options

Fascia is pre-punched with two electrical cutouts (four cutouts total). Please see the **Electrical Fixtures** section for available options.

F-703 Add Air Bench Hood Plumbing Fixtures

Fascia is pre-punched with five 3/4" dia. holes to accept rod driven remote fixtures (ten holes total). Please see the **Plumbing Fixtures** section for available options.

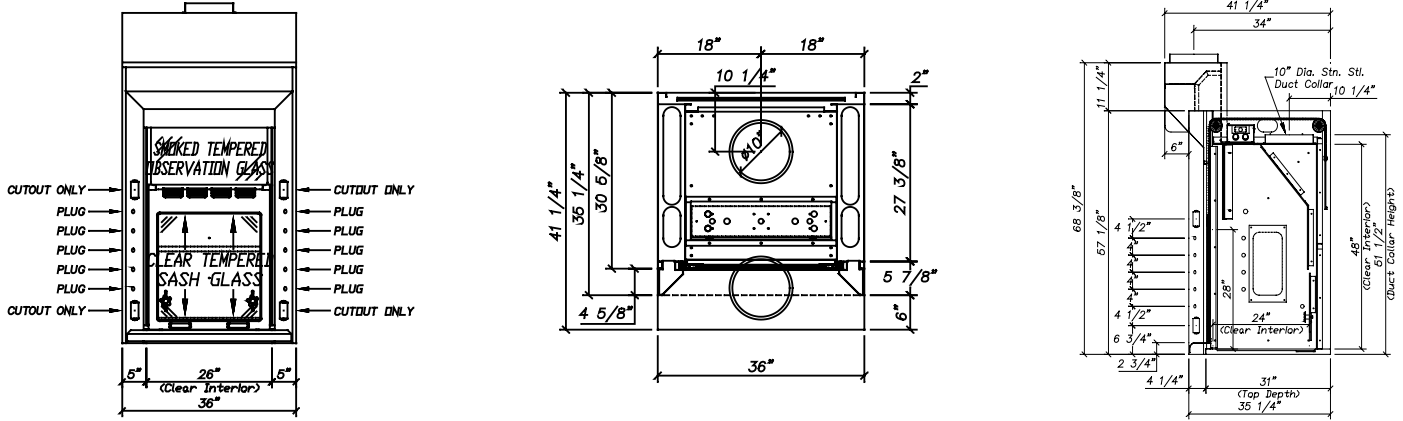
F-703 Add Air Bench Hood Fume Hood Accessories

Please see the **Fume Hood Accessories** section for available options.

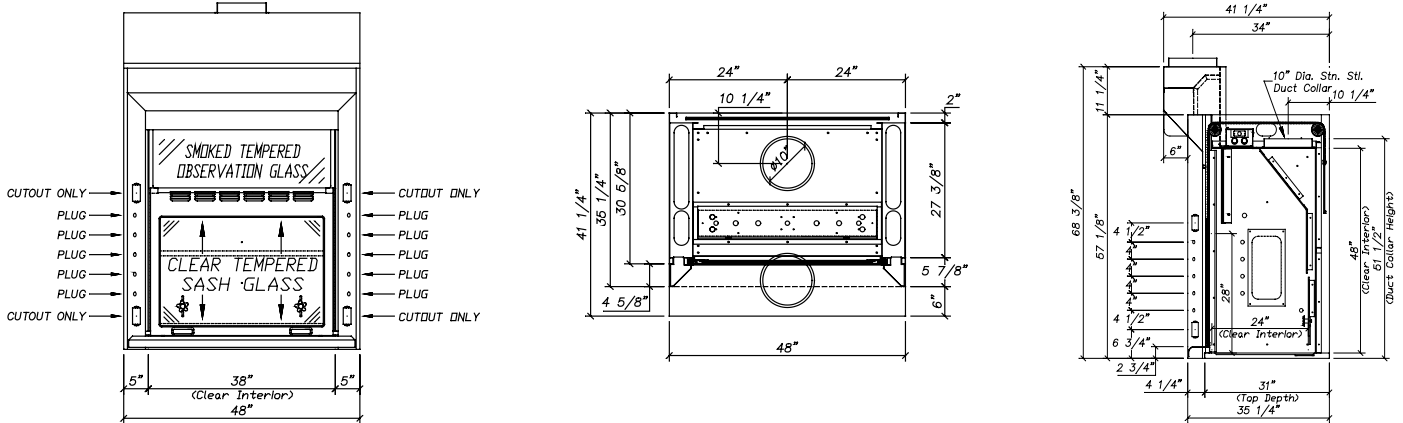
F-700 Series - Auxiliary Air Bench Hoods - Product Dimensions

F-700 Series - Auxiliary Air Bench Hoods - Product Dimensions

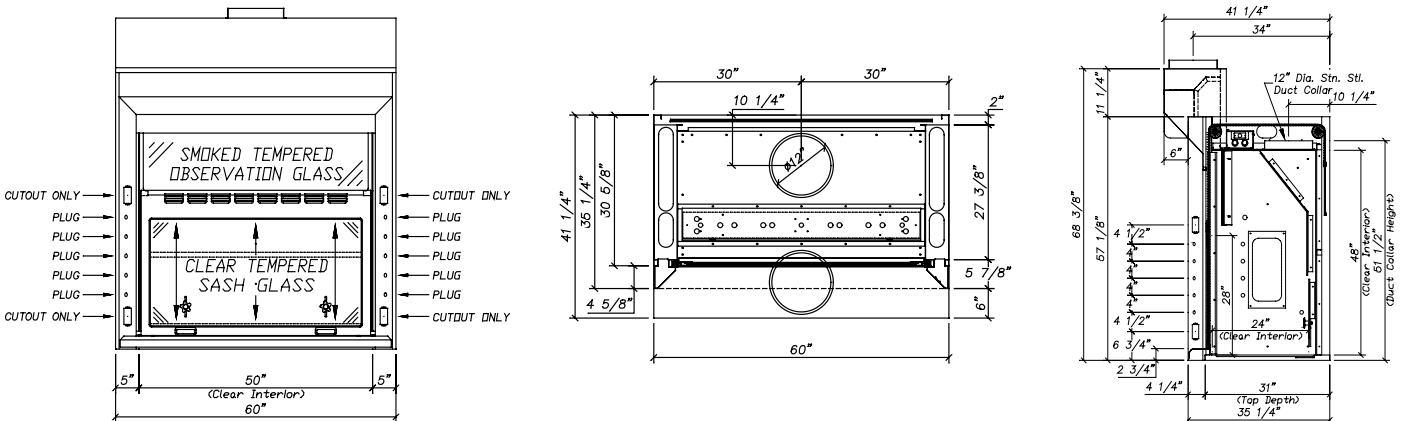
F-703-36 - 36" Add Air Bench Hood



F-703-48 - 48" Add Air Bench Hood

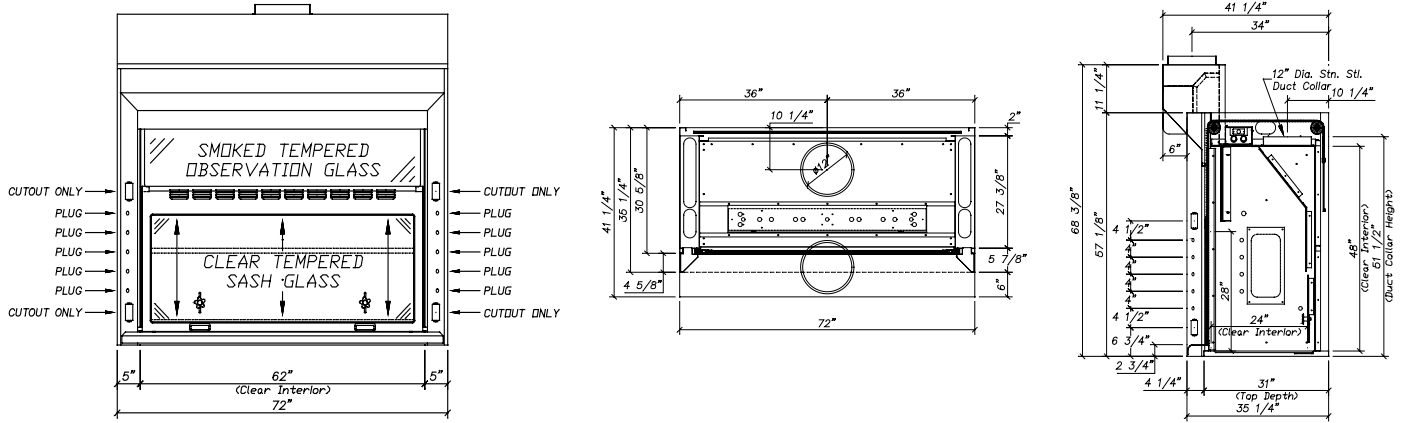


F-703-60 - 60" Add Air Bench Hood



F-700 Series - Auxiliary Air Bench Hoods - Product Dimensions

F-703-72 - 72" Add Air Bench Hood



F-703-96 - 96" Add Air Bench Hood

