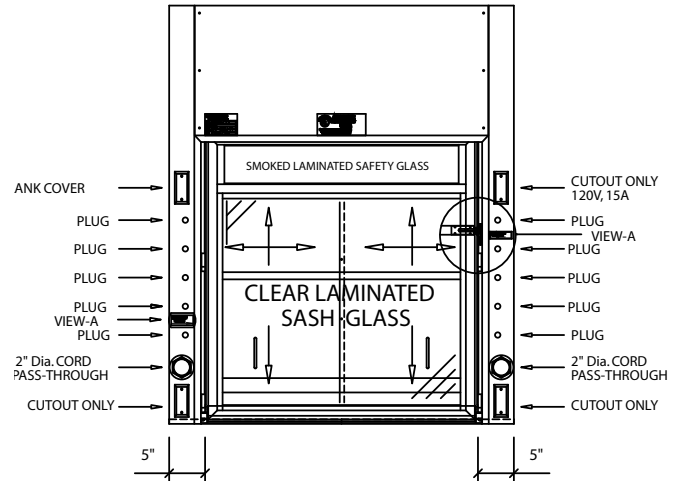


F-301 High Performance Bench Hood – Combination Sash

The **ISOLATOR²*** high performance fume hood is designed with energy conservation in mind, and is ideally suited for environments in which less volume of air is desired. The JMP **ISOLATOR²** fume hood has been independently tested and proven to perform at face velocities at between 60 and 63 fpm without auxiliary devices using a Modified ASHRAE 110-1995 as apposed to the traditional 100FPM. This test places the hood under extreme conditions beyond the normal ASHRAE 110-1995 test sequence, effectively doubling the tracer gas concentration (8l/min versus 4l/min). As with all Jamestown Metal Product fume hoods, safety is on primary concern.

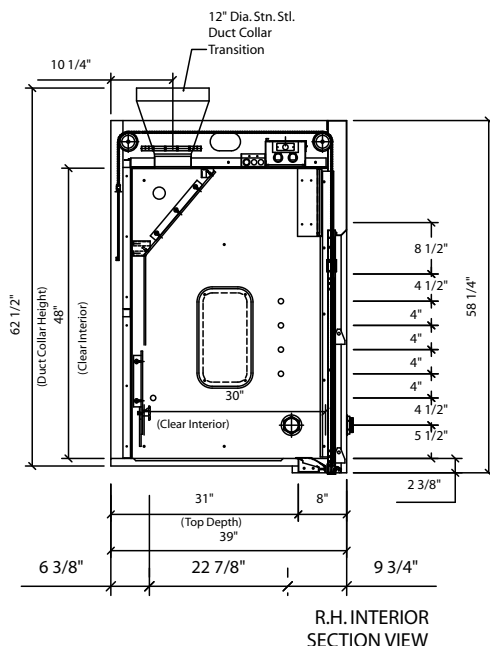
- Years of maintenance free service
- Defeatable sash stops set at 18" open limit CFM
- Powder-painted stainless steel lower trough catches spills that would otherwise run onto the floor or onto the lap of the person sitting in a wheel chair
- No bypass, hood is designed to operate without the use of a VAV (Variable Air Volume) system
- Hoods available in “Knock Down” (KD) mode for transport and assembly in restricted areas

*ISOLATOR² (Squared)



F-301 High Performance Hood Features

- Stainless steel framed vertical combination sash
- Defeatable sash stops set at closed when horizontal panels are open
- Powder-painted stainless steel lower spill trough
- Laminated safety glass with ground-finger pulls in horizontal panels
- 2" diameter cord pass through located inside double wall end panels
- Rectangle duct collars
- Standard stainless steel transition to 12" diameter
- Extra 6" interior depth, 30" clear overall
- 24" clear sash opening for ease of setups
- Unsurpassed containment (designed and tested to exceed ASHRAE 110-1995)
- Unique chain driven sash mechanism that comes with a lifetime warranty
- Galvanized steel pan superstructure
- Quality engineering ensures years of reliable service
- Spring returns to 18".



F-300 Series - Isolator² Bench Fume Hoods - Ordering Information**F-301 High Performance Bench Hood Air Flow Data**

Catalog Number	Duct Size	24" Vertical Open @ 60 FPM	18" Vertical Open @ 80 FPM	Vertical Sash Closed/ Horizontal 50% Open @ 100 FPM
F-301-48	1 : 12"	380 CFM @ .03" SP	380 CFM @ .02" SP	344 CFM @ .01" SP
F-301-60	1 : 12"	500 CFM @ .04" SP	500 CFM @ .02" SP	463 CFM @ .01" SP
F-301-72	1 : 12"	620 CFM @ .04" SP	620 CFM @ .02" SP	559 CFM @ .01" SP
F-301-96	2 : 12"	860 CFM @ .06" SP	860 CFM @ .03" SP	797 CFM @ .02" SP

F-301 High Performance Bench Hood Product Numbers

F-301-48	ISOLATOR ² Bench 48"	Combination Sash
F-301-60	ISOLATOR ² Bench 60"	Combination Sash
F-301-72	ISOLATOR ² Bench 72"	Combination Sash
F-301-96	ISOLATOR ² Bench 96"	Combination Sash

F-301 High Performance Bench Hood Liner Options

White Polyglass is standard. Please see the **Hood Liners** section for available options.

F-301 High Performance Bench Hood Electrical Options

Fascia is pre-punched with two electrical cutouts (four cutouts total). Please see the **Electrical Fixtures** section for available options.

F-301 High Performance Bench Hood Plumbing Fixtures

Fascia is pre-punched with five 3/4" dia. holes to accept rod driven remote fixtures (ten holes total). Please see the **Plumbing Fixtures** section for available options.

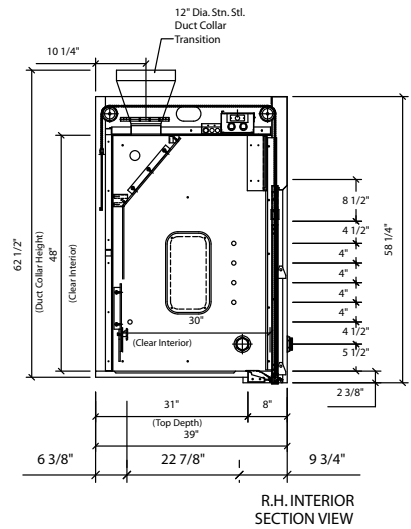
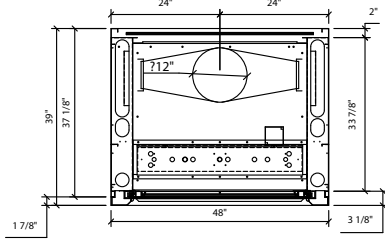
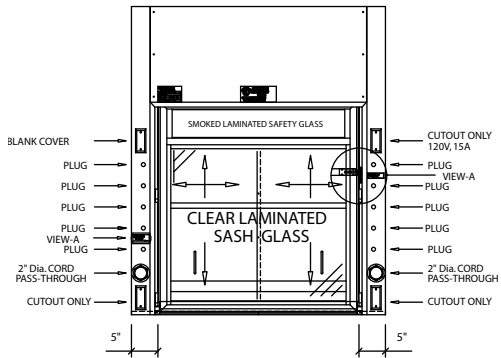
F-301 High Performance Bench Hood Fume Hood Accessories

Please see the **Fume Hood Accessories** section for available options.

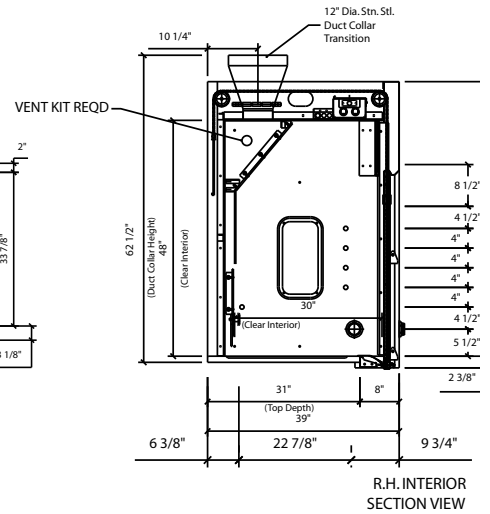
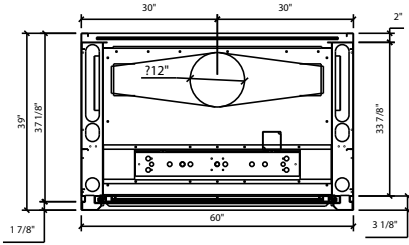
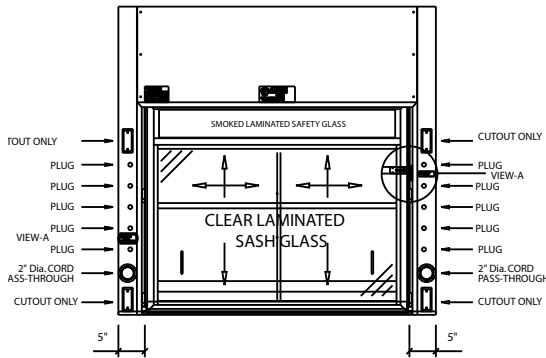
F-300 Series - Isolator² Bench Fume Hoods - Product Dimensions

F-300 Series - Isolator² Bench Fume Hoods - Product Dimensions

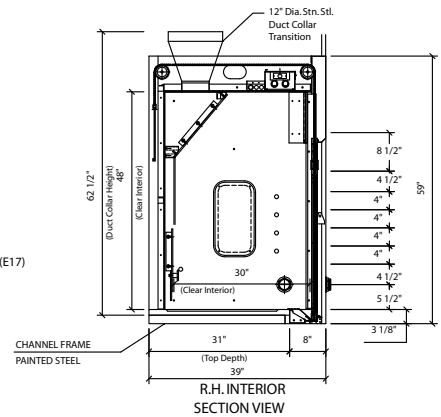
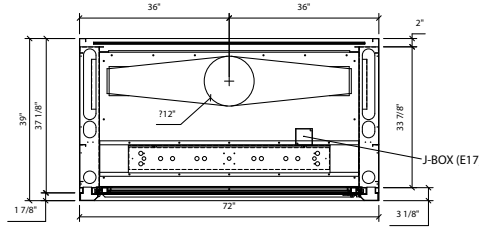
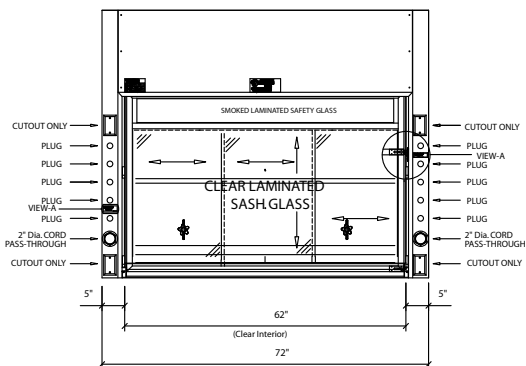
F-301-48 - 48" Isolator² Bench Fume Hood



F-301-60 - 60" Isolator² Bench Fume Hood



F-301-72 - 72" Isolator² Bench Fume Hood



F-300 Series - Isolator² Bench Fume Hoods - Product Dimensions

F-301-96 - 96" Isolator² Bench Fume Hood

