



ATTACHING INSIDE WALL SHELF TO A WALL CORE

Tools Required:

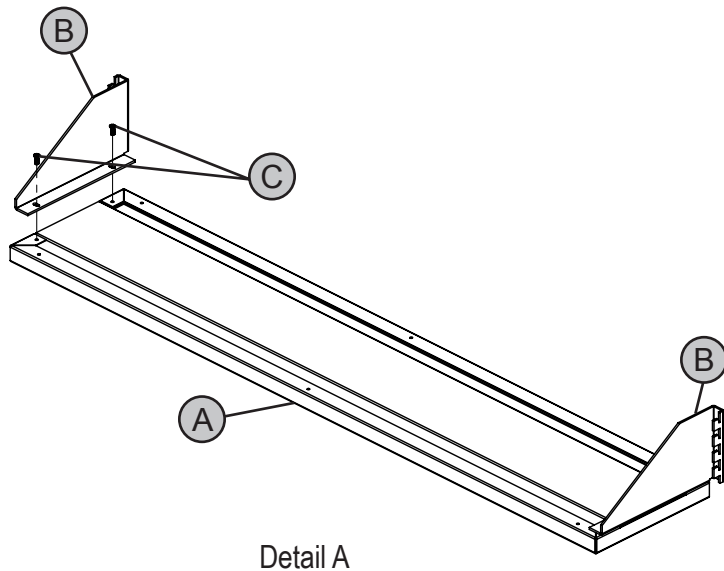
Philips Screw Driver No. 2 & 3 tips

Hardware Included in PS-Kit Included with Shelf:

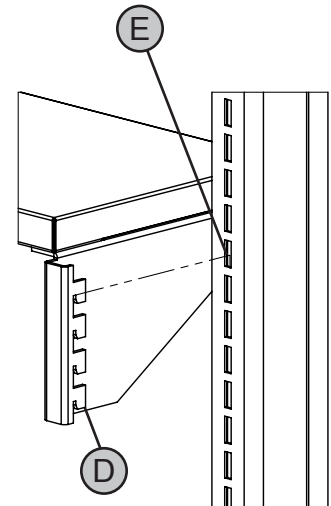
8 Screws, Pan Head #10 x 1/2"

Note: Shelf lips can be attached to the front and back of the shelf. See "Attaching Shelf End Brackets and Shelf Lip to Shelf" instruction for details.

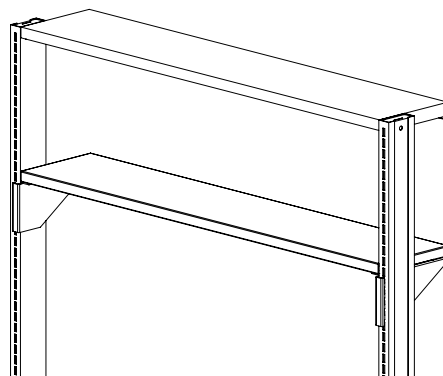
1. Place the shelf (A) upside down on a protected work area.
2. Attach shelf end brackets (B) with screws (C) finger tight (see Detail A).
3. Locate and attach the shelf assembly to the wall core in desired location by inserting the end bracket teeth (D, see Detail B) into the upright slots (E) and push down on the end bracket to ensure the teeth are complete engaged.
4. Tighten all hardware securely.



Detail A



Detail B



Installed Shelf