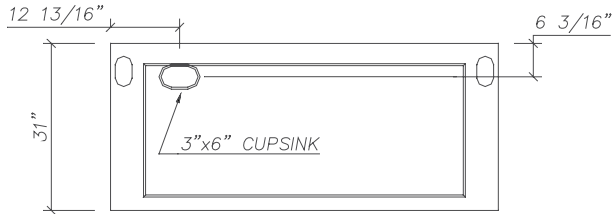


**Worktop Diagrams**

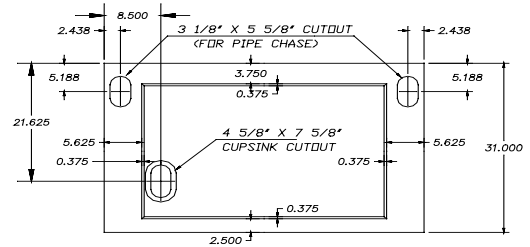
Bench worktops feature 1/2" dished work area, 31" depth and 1 1/4" edge thickness. Extra deep depths of 37" are available. Cutouts are sized for 3"x6" cupsinks. Specify if larger cupsink is required.

\*Note: Cutout and cupsink prices are included with worktop purchase.

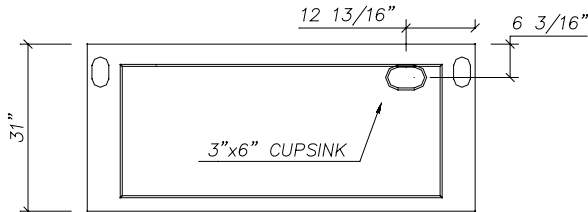
**Worktop with left rear cutout**



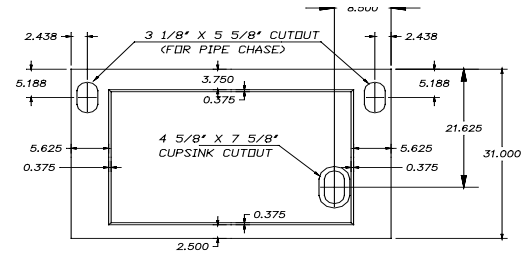
**ADA Worktop with left front cutout**



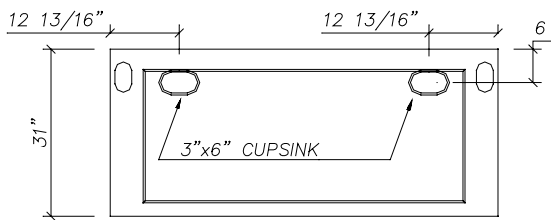
**Worktop with right rear cutout**



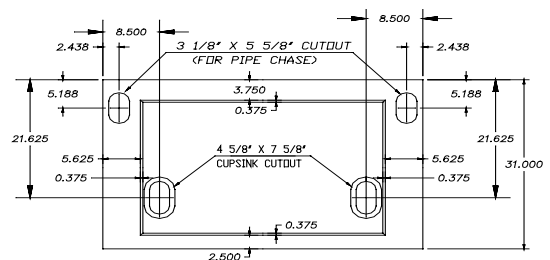
**ADA Worktop with right front cutout**



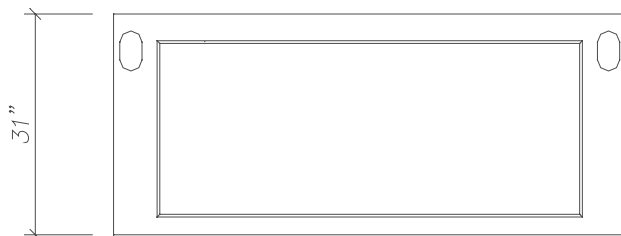
**Worktop with both rear cutout**



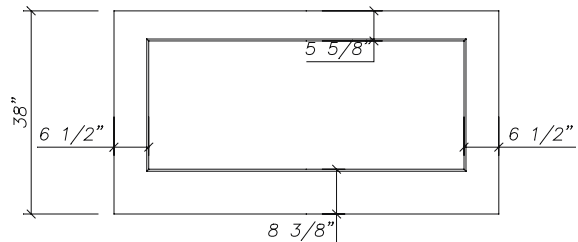
**ADA Worktop with both front cutout**



**Worktop with no cutout**



**Walk-In Floor**



Walk-In floors feature 1/2" dished work area, 38" depth and 1 1/4" edge thickness. Extra deep floors with a 44" depth are available. Designed to slide into the walk-In hood interior.

**Fume Hood Accessories – Worktops****Workfloor – Walk-In Hoods**

<b>WI-48-B</b>	48" Epoxy Floor	Black
<b>WI-48-G</b>	48" Epoxy Floor	Pearl Gray
<b>WI-48-M</b>	48" Epoxy Floor	Platinum Gray
<b>WI-48-S</b>	48" Stainless Steel Floor	304 Stainless Steel
<b>WI-60-B</b>	60" Epoxy Floor	Black
<b>WI-60-G</b>	60" Epoxy Floor	Pearl Gray
<b>WI-60-M</b>	60" Epoxy Floor	Platinum Gray
<b>WI-60-S</b>	60" Stainless Steel Floor	304 Stainless Steel
<b>WI-72-B</b>	72" Epoxy Floor	Black
<b>WI-72-G</b>	72" Epoxy Floor	Pearl Gray
<b>WI-72-M</b>	72" Epoxy Floor	Platinum Gray
<b>WI-72-S</b>	72" Stainless Steel Floor	304 Stainless Steel
<b>WI-96-B</b>	96" Epoxy Floor	Black
<b>WI-96-G</b>	96" Epoxy Floor	Pearl Gray
<b>WI-96-M</b>	96" Epoxy Floor	Platinum Gray
<b>WI-96-S</b>	96" Stainless Steel Floor	304 Stainless Steel
<b>WI-120-B</b>	120" Epoxy Floor	Black
<b>WI-120-G</b>	120" Epoxy Floor	Pearl Gray
<b>WI-120-M</b>	120" Epoxy Floor	Platinum Gray
<b>WI-120-S</b>	120" Stainless Steel Floor	304 Stainless Steel
<b>WI-144-B</b>	144" Epoxy Floor	Black
<b>WI-144-G</b>	144" Epoxy Floor	Pearl Gray
<b>WI-144-M</b>	144" Epoxy Floor	Platinum Gray
<b>WI-144-S</b>	144" Stainless Steel Floor	304 Stainless Steel

**Worktop – Without Cupsink**

<b>WN-36-B</b>	36" Epoxy Top	No Cutout	Black
<b>WN-36-G</b>	36" Epoxy Top	No Cutout	Pearl Gray
<b>WN-36-M</b>	36" Epoxy Top	No Cutout	Platinum Gray
<b>WN-36-S</b>	36" Stainless Steel Top	No Cutout	304 Stainless Steel
<b>WN-48-B</b>	48" Epoxy Top	No Cutout	Black
<b>WN-48-G</b>	48" Epoxy Top	No Cutout	Pearl Gray
<b>WN-48-M</b>	48" Epoxy Top	No Cutout	Platinum Gray
<b>WN-48-S</b>	48" Stainless Steel Top	No Cutout	304 Stainless Steel
<b>WN-60-B</b>	60" Epoxy Top	No Cutout	Black
<b>WN-60-G</b>	60" Epoxy Top	No Cutout	Pearl Gray
<b>WN-60-M</b>	60" Epoxy Top	No Cutout	Platinum Gray
<b>WN-60-S</b>	60" Stainless Steel Top	No Cutout	304 Stainless Steel
<b>WN-72-B</b>	72" Epoxy Top	No Cutout	Black
<b>WN-72-G</b>	72" Epoxy Top	No Cutout	Pearl Gray
<b>WN-72-M</b>	72" Epoxy Top	No Cutout	Platinum Gray
<b>WN-72-S</b>	72" Stainless Steel Top	No Cutout	304 Stainless Steel
<b>WN-96-B</b>	96" Epoxy Top	No Cutout	Black
<b>WN-96-G</b>	96" Epoxy Top	No Cutout	Pearl Gray
<b>WN-96-M</b>	96" Epoxy Top	No Cutout	Platinum Gray
<b>WN-96-S</b>	96" Stainless Steel Top	No Cutout	304 Stainless Steel
<b>WN-120-B</b>	120" Epoxy Top	No Cutout	Black
<b>WN-120-G</b>	120" Epoxy Top	No Cutout	Pearl Gray
<b>WN-120-M</b>	120" Epoxy Top	No Cutout	Platinum Gray
<b>WN-120-S</b>	120" Stainless Steel Top	No Cutout	304 Stainless Steel
<b>WN-144-B</b>	144" Epoxy Top	No Cutout	Black
<b>WN-144-G</b>	144" Epoxy Top	No Cutout	Pearl Gray
<b>WN-144-M</b>	144" Epoxy Top	No Cutout	Platinum Gray
<b>WN-144-S</b>	144" Stainless Steel Top	No Cutout	304 Stainless Steel

**Fume Hood Accessories - Worktops****Worktop - With Left Rear Cupsink**

<b>WL-36-B</b>	36" Epoxy Top	Left Rear Cutout	Black
<b>WL-36-G</b>	36" Epoxy Top	Left Rear Cutout	Pearl Gray
<b>WL-36-M</b>	36" Epoxy Top	Left Rear Cutout	Platinum Gray
<b>WL-36-S</b>	36" Stainless Steel Top	Left Rear Cutout	304 Stainless Steel
<b>WL-48-B</b>	48" Epoxy Top	Left Rear Cutout	Black
<b>WL-48-G</b>	48" Epoxy Top	Left Rear Cutout	Pearl Gray
<b>WL-48-M</b>	48" Epoxy Top	Left Rear Cutout	Platinum Gray
<b>WL-48-S</b>	48" Stainless Steel Top	Left Rear Cutout	304 Stainless Steel
<b>WL-60-B</b>	60" Epoxy Top	Left Rear Cutout	Black
<b>WL-60-M</b>	60" Epoxy Top	Left Rear Cutout	Platinum Gray
<b>WL-60-S</b>	60" Stainless Steel Top	Left Rear Cutout	304 Stainless Steel
<b>WL-72-B</b>	72" Epoxy Top	Left Rear Cutout	Black
<b>WL-72-G</b>	72" Epoxy Top	Left Rear Cutout	Pearl Gray
<b>WL-72-M</b>	72" Epoxy Top	Left Rear Cutout	Platinum Gray
<b>WL-72-S</b>	72" Stainless Steel Top	Left Rear Cutout	304 Stainless Steel
<b>WL-96-B</b>	96" Epoxy Top	Left Rear Cutout	Black
<b>WL-96-G</b>	96" Epoxy Top	Left Rear Cutout	Pearl Gray
<b>WL-96-M</b>	96" Epoxy Top	Left Rear Cutout	Platinum Gray
<b>WL-96-S</b>	96" Stainless Steel Top	Left Rear Cutout	304 Stainless Steel
<b>WL-120-B</b>	120" Epoxy Top	Left Rear Cutout	Black
<b>WL-120-G</b>	120" Epoxy Top	Left Rear Cutout	Pearl Gray
<b>WL-120-M</b>	120" Epoxy Top	Left Rear Cutout	Platinum Gray
<b>WL-120-S</b>	120" Stainless Steel Top	Left Rear Cutout	304 Stainless Steel
<b>WL-144-B</b>	144" Epoxy Top	Left Rear Cutout	Black
<b>WL-144-G</b>	144" Epoxy Top	Left Rear Cutout	Pearl Gray
<b>WL-144-M</b>	144" Epoxy Top	Left Rear Cutout	Platinum Gray
<b>WL-144-S</b>	144" Stainless Steel Top	Left Rear Cutout	304 Stainless Steel

**Worktop – With Right Rear Cupsink**

<b>WR-36-B</b>	36" Epoxy Top	Right Rear Cutout	Black
<b>WR-36-G</b>	36" Epoxy Top	Right Rear Cutout	Pearl Gray
<b>WR-36-M</b>	36" Epoxy Top	Right Rear Cutout	Platinum Gray
<b>WR-36-S</b>	36" Stainless Steel Top	Right Rear Cutout	304 Stainless Steel
<b>WR-48-B</b>	48" Epoxy Top	Right Rear Cutout	Black
<b>WR-48-G</b>	48" Epoxy Top	Right Rear Cutout	Pearl Gray
<b>WR-48-M</b>	48" Epoxy Top	Right Rear Cutout	Platinum Gray
<b>WR-48-S</b>	48" Stainless Steel Top	Right Rear Cutout	304 Stainless Steel
<b>WR-60-B</b>	60" Epoxy Top	Right Rear Cutout	Black
<b>WR-60-G</b>	60" Epoxy Top	Right Rear Cutout	Pearl Gray
<b>WR-60-M</b>	60" Epoxy Top	Right Rear Cutout	Platinum Gray
<b>WR-60-S</b>	60" Stainless Steel Top	Right Rear Cutout	304 Stainless Steel
<b>WR-72-B</b>	72" Epoxy Top	Right Rear Cutout	Black
<b>WR-72-G</b>	72" Epoxy Top	Right Rear Cutout	Pearl Gray
<b>WR-72-M</b>	72" Epoxy Top	Right Rear Cutout	Platinum Gray
<b>WR-72-S</b>	72" Stainless Steel Top	Right Rear Cutout	304 Stainless Steel-
<b>WR-96-B</b>	96" Epoxy Top	Right Rear Cutout	Black
<b>WR-96-G</b>	96" Epoxy Top	Right Rear Cutout	Pearl Gray
<b>WR-96-M</b>	96" Epoxy Top	Right Rear Cutout	Platinum Gray
<b>WR-96-S</b>	96" Stainless Steel Top	Right Rear Cutout	304 Stainless Steel
<b>WR-120-B</b>	120" Epoxy Top	Right Rear Cutout	Black
<b>WR-120-G</b>	120" Epoxy Top	Right Rear Cutout	Pearl Gray
<b>WR-120-M</b>	120" Epoxy Top	Right Rear Cutout	Platinum Gray
<b>WR-120-S</b>	120" Stainless Steel Top	Right Rear Cutout	304 Stainless Steel
<b>WR-144-B</b>	144" Epoxy Top	Right Rear Cutout	Black
<b>WR-144-G</b>	144" Epoxy Top	Right Rear Cutout	Pearl Gray
<b>WR-144-M</b>	144" Epoxy Top	Right Rear Cutout	Platinum Gray
<b>WR-144-S</b>	144" Stainless Steel Top,	Right Rear Cutout	304 Stainless Steel

**Fume Hood Accessories – Worktops****Worktop – With Both Rear Cupsinks**

<b>WB-36-B</b>	36" Epoxy Top	Both Cutout	Black
<b>WB-36-G</b>	36" Epoxy Top	Both Cutout	Pearl Gray
<b>WB-36-M</b>	36" Epoxy Top	Both Cutout	Platinum Gray
<b>WB-36-S</b>	36" Stainless Steel Top	Both Cutout	304 Stainless Steel
<b>WB-48-B</b>	48" Epoxy Top	Both Cutout	Black
<b>WB-48-G</b>	48" Epoxy Top	Both Cutout	Pearl Gray
<b>WB-48-M</b>	48" Epoxy Top	Both Cutout	Platinum Gray
<b>WB-48-S</b>	48" Stainless Steel Top	Both Cutout	304 Stainless Steel
<b>WB-60-B</b>	60" Epoxy Top	Both Cutout	Black
<b>WB-60-G</b>	60" Epoxy Top	Both Cutout	Pearl Gray
<b>WB-60-M</b>	60" Epoxy Top	Both Cutout	Platinum Gray
<b>WB-60-S</b>	60" Stainless Steel Top	Both Cutout	304 Stainless Steel
<b>WB-72-B</b>	72" Epoxy Top	Both Cutout	Black
<b>WB-72-G</b>	72" Epoxy Top	Both Cutout	Pearl Gray
<b>WB-72-M</b>	72" Epoxy Top	Both Cutout	Platinum Gray
<b>WB-72-S</b>	72" Stainless Steel Top	Both Cutout	304 Stainless Steel
<b>WB-96-B</b>	96" Epoxy Top	Both Cutout	Black
<b>WB-96-G</b>	96" Epoxy Top	Both Cutout	Pearl Gray
<b>WB-96-M</b>	96" Epoxy Top	Both Cutout	Platinum Gray
<b>WB-96-S</b>	96" Stainless Steel Top	Both Cutout	304 Stainless Steel
<b>WB-120-B</b>	120" Epoxy Top	Both Cutout	Black
<b>WB-120-G</b>	120" Epoxy Top	Both Cutout	Pearl Gray
<b>WB-120-M</b>	120" Epoxy Top	Both Cutout	Platinum Gray
<b>WB-120-S</b>	120" Stainless Steel Top	Both Cutout	304 Stainless Steel
<b>WB-144-B</b>	144" Epoxy Top	Both Cutout	Black
<b>WB-144-G</b>	144" Epoxy Top	Both Cutout	Pearl Gray
<b>WB-144-M</b>	144" Epoxy Top	Both Cutout	Platinum Gray
<b>WB-144-S</b>	144" Stainless Steel Top	Both Cutout	304 Stainless Steel

**Deep Workfloor – Walk-In Hoods**

<b>WI-48D30B</b>	48" Epoxy Floor	Deep	Black
<b>WI-48D30G</b>	48" Epoxy Floor	Deep	Pearl Gray
<b>WI-48D30M</b>	48" Epoxy Floor	Deep	Platinum Gray
<b>WI-48D30S</b>	48" Stainless Steel Floor	Deep	304 Stainless Steel
<b>WI-60D30B</b>	60" Epoxy Floor	Deep	Black
<b>WI-60D30G</b>	60" Epoxy Floor	Deep	Pearl Gray
<b>WI-60D30M</b>	60" Epoxy Floor	Deep	Platinum Gray
<b>WI-60D30S</b>	60" Stainless Steel Floor	Deep	304 Stainless Steel
<b>WI-72D30B</b>	72" Epoxy Floor	Deep	Black
<b>WI-72D30G</b>	72" Epoxy Floor	Deep	Pearl Gray
<b>WI-72D30M</b>	72" Epoxy Floor	Deep	Platinum Gray
<b>WI-72D30S</b>	72" Stainless Steel Floor	Deep	304 Stainless Steel
<b>WI-96D30B</b>	96" Epoxy Floor	Deep	Black
<b>WI-96D30G</b>	96" Epoxy Floor	Deep	Pearl Gray
<b>WI-96D30M</b>	96" Epoxy Floor	Deep	Platinum Gray
<b>WI-96D30S</b>	96" Stainless Steel Floor	Deep	304 Stainless Steel
<b>WI-120D30B</b>	120" Epoxy Floor	Deep	Black
<b>WI-120D30G</b>	120" Epoxy Floor	Deep	Pearl Gray
<b>WI-120D30M</b>	120" Epoxy Floor	Deep	Platinum Gray
<b>WI-120D30S</b>	120" Stainless Steel Floor	Deep	304 Stainless Steel
<b>WI-144D30B</b>	144" Epoxy Floor	Deep	Black
<b>WI-144D30G</b>	144" Epoxy Floor	Deep	Pearl Gray
<b>WI-144D30M</b>	144" Epoxy Floor	Deep	Platinum Gray
<b>WI-144D30S</b>	144" Stainless Steel Floor	Deep	304 Stainless Steel

**Fume Hood Accessories - Worktops****Deep Worktop - Without Cupsink**

<b>WN-48D30B</b>	48" Epoxy	Deep	No Cutout	Black
<b>WN-48D30G</b>	48" Epoxy	Deep	No Cutout	Pearl Gray
<b>WN-48D30M</b>	48" Epoxy	Deep	No Cutout	Platinum Gray
<b>WN-48D30S</b>	48" Stainless Steel	Deep	No Cutout	304 Stainless Steel
<b>WN-60D30B</b>	60" Epoxy	Deep	No Cutout	Black
<b>WN-60D30G</b>	60" Epoxy	Deep	No Cutout	Pearl Gray
<b>WN-60D30M</b>	60" Epoxy	Deep	No Cutout	Platinum Gray
<b>WN-60D30S</b>	60" Stainless Steel	Deep	No Cutout	304 Stainless Steel
<b>WN-72D30B</b>	72" Epoxy	Deep	No Cutout	Black
<b>WN-72D30G</b>	72" Epoxy	Deep	No Cutout	Pearl Gray
<b>WN-72D30M</b>	72" Epoxy	Deep	No Cutout	Platinum Gray
<b>WN-72D30S</b>	72" Stainless Steel	Deep	No Cutout	304 Stainless Steel
<b>WN-96D30B</b>	96" Epoxy	Deep	No Cutout	Black
<b>WN-96D30G</b>	96" Epoxy	Deep	No Cutout	Pearl Gray
<b>WN-96D30M</b>	96" Epoxy	Deep	No Cutout	Platinum Gray
<b>WN-96D30S</b>	96" Stainless Steel	Deep	No Cutout	304 Stainless Steel
<b>WN-120D30B</b>	120" Epoxy	Deep	No Cutout	Black
<b>WN-120D30G</b>	120" Epoxy	Deep	No Cutout	Pearl Gray
<b>WN-120D30M</b>	120" Epoxy	Deep	No Cutout	Platinum Gray
<b>WN-120D30S</b>	120" Stainless Steel	Deep	No Cutout	304 Stainless Steel
<b>WN-144D30B</b>	144" Epoxy	Deep	No Cutout	Black
<b>WN-144D30G</b>	144" Epoxy	Deep	No Cutout	Pearl Gray
<b>WN-144D30M</b>	144" Epoxy	Deep	No Cutout	Platinum Gray
<b>WN-144D30S</b>	144" Stainless Steel	Deep	No Cutout	304 Stainless Steel

**Deep Worktop – With Left Rear Cupsink**

<b>WL-48D30B</b>	48" Epoxy	Deep	Left Rear Cutout	Black
<b>WL-48D30G</b>	48" Epoxy	Deep	Left Rear Cutout	Pearl Gray
<b>WL-48D30M</b>	48" Epoxy	Deep	Left Rear Cutout	Platinum Gray
<b>WL-48D30S</b>	48" Stainless Steel	Deep	Left Rear Cutout	304 Stainless Steel
<b>WL-60D30B</b>	60" Epoxy	Deep	Left Rear Cutout	Black
<b>WL-60D30G</b>	60" Epoxy	Deep	Left Rear Cutout	Pearl Gray
<b>WL-60D30M</b>	60" Epoxy	Deep	Left Rear Cutout	Platinum Gray
<b>WL-60D30S</b>	60" Stainless Steel	Deep	Left Rear Cutout	304 Stainless Steel
<b>WL-72D30B</b>	72" Epoxy	Deep	Left Rear Cutout	Black
<b>WL-72D30G</b>	72" Epoxy	Deep	Left Rear Cutout	Pearl Gray
<b>WL-72D30M</b>	72" Epoxy	Deep	Left Rear Cutout	Platinum Gray
<b>WL-72D30S</b>	72" Stainless Steel	Deep	Left Rear Cutout	304 Stainless Steel
<b>WL-96D30B</b>	96" Epoxy	Deep	Left Rear Cutout	Black
<b>WL-96D30G</b>	96" Epoxy	Deep	Left Rear Cutout	Pearl Gray
<b>WL-96D30M</b>	96" Epoxy	Deep	Left Rear Cutout	Platinum Gray
<b>WL-96D30S</b>	96" Stainless Steel	Deep	Left Rear Cutout	304 Stainless Steel
<b>WL-120D30B</b>	120" Epoxy	Deep	Left Rear Cutout	Black
<b>WL-120D30G</b>	120" Epoxy	Deep	Left Rear Cutout	Pearl Gray
<b>WL-120D30M</b>	120" Epoxy	Deep	Left Rear Cutout	Platinum Gray
<b>WL-120D30S</b>	120" Stainless Steel	Deep	Left Rear Cutout	304 Stainless Steel
<b>WL-144D30B</b>	144" Epoxy	Deep	Left Rear Cutout	Black
<b>WL-144D30G</b>	144" Epoxy	Deep	Left Rear Cutout	Pearl Gray
<b>WL-144D30M</b>	144" Epoxy	Deep	Left Rear Cutout	Platinum Gray
<b>WL-144D30S</b>	144" Stainless Steel	Deep	Left Rear Cutout	304 Stainless Steel

**Fume Hood Accessories - Worktops****Deep Worktop - With Right Rear Cupsink**

<b>WR-48D30B</b>	48" Epoxy	Deep	Right Rear Cutout	Black
<b>WR-48D30G</b>	48" Epoxy	Deep	Right Rear Cutout	Pearl Gray
<b>WR-48D30M</b>	48" Epoxy	Deep	Right Rear Cutoutt	Platinum Gray
<b>WR-48D30S</b>	48" Stainless Steel	Deep	Right Rear Cutout	304 Stainless Steel
<b>WR-60D30B</b>	60" Epoxy	Deep	Right Rear Cutout	Black
<b>WR-60D30G</b>	60" Epoxy	Deep	Right Rear Cutout	Pearl Gray
<b>WR-60D30M</b>	60" Epoxy	Deep	Right Rear Cutout	Platinum Gray
<b>WR-60D30S</b>	60" Stainless Steel	Deep	Right Rear Cutout	304 Stainless Steel
<b>WR-72D30B</b>	72" Epoxy	Deep	Right Rear Cutout	Black
<b>WR-72D30G</b>	72" Epoxy	Deep	Right Rear Cutout	Pearl Gray
<b>WR-72D30M</b>	72" Epoxy	Deep	Right Rear Cutout	Platinum Gray
<b>WR-72D30S</b>	72" Stainless Steel	Deep	Right Rear Cutout	304 Stainless Steel
<b>WR-96D30B</b>	96" Epoxy	Deep	Right Rear Cutout	Black
<b>WR-96D30G</b>	96" Epoxy	Deep	Right Rear Cutout	Pearl Gray
<b>WR-96D30M</b>	96" Epoxy	Deep	Right Rear Cutout	Platinum Gray
<b>WR-96D30S</b>	96" Stainless Steel	Deep	Right Rear Cutout	304 Stainless Steel
<b>WR-120D30B</b>	120" Epoxy	Deep	Right Rear Cutout	Black
<b>WR-120D30G</b>	120" Epoxy	Deep	Right Rear Cutout	Pearl Gray
<b>WR-120D30M</b>	120" Epoxy	Deep	Right Rear Cutout	Platinum Gray
<b>WR-120D30S</b>	120" Stainless Steel	Deep	Right Rear Cutout	304 Stainless Steel
<b>WR-144D30B</b>	144" Epoxy	Deep	Right Rear Cutout	Black
<b>WR-144D30G</b>	144" Epoxy	Deep	Right Rear Cutout	Pearl Gray
<b>WR-144D30M</b>	144" Epoxy	Deep	Right Rear Cutout	Platinum Gray
<b>WR-144D30S</b>	144" Stainless Steel	Deep	Right Rear Cutout	304 Stainless Steel

**Deep Worktop – With Both Rear Cupsink**

<b>WB-48D30B</b>	48" Epoxy	Deep	Both Cutout	Black
<b>WB-48D30G</b>	48" Epoxy	Deep	Both Cutout	Pearl Gray
<b>WB-48D30M</b>	48" Epoxy	Deep	Both Cutout	Platinum Gray
<b>WB-48D30S</b>	48" Stainless Steel	Deep	Both Cutout	304 Stainless Steel
<b>WB-60D30B</b>	60" Epoxy	Deep	Both Cutout	Black
<b>WB-60D30G</b>	60" Epoxy	Deep	Both Cutout	Pearl Gray
<b>WB-60D30M</b>	60" Epoxy	Deep	Both Cutout	Platinum Gray
<b>WB-60D30S</b>	60" Stainless Steel	Deep	Both Cutout	304 Stainless Steel
<b>WB-72D30B</b>	72" Epoxy	Deep	Both Cutout	Black
<b>WB-72D30G</b>	72" Epoxy	Deep	Both Cutout	Pearl Gray
<b>WB-72D30M</b>	72" Epoxy	Deep	Both Cutout	Platinum Gray
<b>WB-72D30S</b>	72" Stainless Steel	Deep	Both Cutout	304 Stainless Steel
<b>WB-96D30B</b>	96" Epoxy	Deep	Both Cutout	Black
<b>WB-96D30G</b>	96" Epoxy	Deep	Both Cutout	Pearl Gray
<b>WB-96D30M</b>	96" Epoxy	Deep	Both Cutout	Platinum Gray
<b>WB-96D30S</b>	96" Stainless Steel	Deep	Both Cutout	304 Stainless Steel
<b>WB-120D30B</b>	120" Epoxy	Deep	Both Cutout	Black
<b>WB-120D30G</b>	120" Epoxy	Deep	Both Cutout	Pearl Gray
<b>WB-120D30M</b>	120" Epoxy	Deep	Both Cutout	Platinum Gray
<b>WB-120D30S</b>	120" Stainless Steel	Deep	Both Cutout	304 Stainless Steel
<b>WB-144D30B</b>	144" Epoxy	Deep	Both Cutout	Black
<b>WB-144D30G</b>	144" Epoxy	Deep	Both Cutout	Pearl Gray
<b>WB-144D30M</b>	144" Epoxy	Deep	Both Cutout	Platinum Gray
<b>WB-144D30S</b>	144" Stainless Steel	Deep	Both Cutout	304 Stainless Steel

**Fume Hood Accessories - Worktops****ADA Worktop - With Left Front Cupsink**

<b>WAL-48B</b>	48" ADA Epoxy	Left Front Cutout	Black
<b>WAL-48G</b>	48" ADA Epoxy	Left Front Cutout	Pearl Gray
<b>WAL-48M</b>	48" ADA Epoxy	Left Front Cutout	Platinum Gray
<b>WAL-48S</b>	48" ADA Stainless Steel	Left Front Cutout	304 Stainless Steel
<b>WAL-60B</b>	60" ADA Epoxy	Left Front Cutout	Black
<b>WAL-60G</b>	60" ADA Epoxy	Left Front Cutout	Pearl Gray
<b>WAL-60M</b>	60" ADA Epoxy	Left Front Cutout	Platinum Gray
<b>WAL-60S</b>	60" ADA Stainless Steel	Left Front Cutout	304 Stainless Steel
<b>WAL-72B</b>	72" ADA Epoxy	Left Front Cutout	Black
<b>WAL-72G</b>	72" ADA Epoxy	Left Front Cutout	Pearl Gray
<b>WAL-72M</b>	72" ADA Epoxy	Left Front Cutout	Platinum Gray
<b>WAL-72S</b>	72" ADA Stainless Steel	Left Front Cutout	304 Stainless Steel
<b>WAL-96B</b>	96" ADA Epoxy	Left Front Cutout	Black
<b>WAL-96G</b>	96" ADA Epoxy	Left Front Cutout	Pearl Gray
<b>WAL-96M</b>	96" ADA Epoxy	Left Front Cutout	Platinum Gray
<b>WAL-96S</b>	96" ADA Stainless Steel	Left Front Cutout	304 Stainless Steel

**ADA Worktop – With Right Front Cupsink**

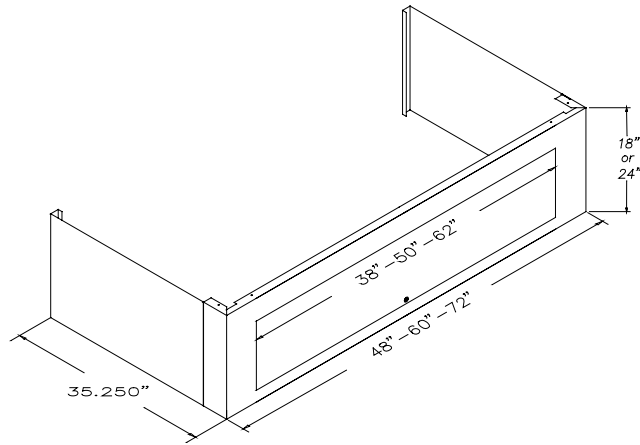
<b>WAR-48B</b>	48" ADA Epoxy	Right Front Cutout	Black
<b>WAR-48G</b>	48" ADA Epoxy	Right Front Cutout	Pearl Gray
<b>WAR-48M</b>	48" ADA Epoxy	Right Front Cutout	Platinum Gray
<b>WAR-48S</b>	48" ADA Stainless Steel	Right Front Cutout	304 Stainless Steel
<b>WAR-60B</b>	60" ADA Epoxy	Right Front Cutout	Black
<b>WAR-60G</b>	60" ADA Epoxy	Right Front Cutout	Pearl Gray
<b>WAR-60M</b>	60" ADA Epoxy	Right Front Cutout	Platinum Gray
<b>WAR-60S</b>	60" ADA Stainless Steel	Right Front Cutout	304 Stainless Steel
<b>WAR-72B</b>	72" ADA Epoxy	Right Front Cutout	Black
<b>WAR-72G</b>	72" ADA Epoxy	Right Front Cutout	Pearl Gray
<b>WAR-72M</b>	72" ADA Epoxy	Right Front Cutout	Platinum Gray
<b>WAR-72S</b>	72" ADA Stainless Steel	Right Front Cutout	304 Stainless Steel
<b>WAR-96B</b>	96" ADA Epoxy	Right Front Cutout	Black
<b>WAR-96G</b>	96" ADA Epoxy	Right Front Cutout	Pearl Gray
<b>WAR-96M</b>	96" ADA Epoxy	Right Front Cutout	Platinum Gray
<b>WAR-96S</b>	96" ADA Stainless Steel	Right Front Cutout	304 Stainless Steel

**Fume Hood Accessories - Worktops****ADA Worktop - With Both Front Cupsink**

<b>WAB-48B</b>	48" ADA Epoxy	Both Cutout	Black
<b>WAB-48G</b>	48" ADA Epoxy	Both Cutout	Pearl Gray
<b>WAB-48M</b>	48" ADA Epoxy	Both Cutout	Platinum Gray
<b>WAB-48S</b>	48" ADA Stainless Steel	Both Cutout	304 Stainless Steel
<b>WAB-60B</b>	60" ADA Epoxy	Both Cutout	Black
<b>WAB-60G</b>	60" ADA Epoxy	Both Cutout	Pearl Gray
<b>WAB-60M</b>	60" ADA Epoxy	Both Cutout	Platinum Gray
<b>WAB-60S</b>	60" ADA Stainless Steel	Both Cutout	304 Stainless Steel
<b>WAB-72B</b>	72" ADA Epoxy	Both Cutout	Black
<b>WAB-72G</b>	72" ADA Epoxy	Both Cutout	Pearl Gray
<b>WAB-72M</b>	72" ADA Epoxy	Both Cutout	Platinum Gray
<b>WAB-72S</b>	72" ADA Stainless Steel	Both Cutout	304 Stainless Steel
<b>WAB-96B</b>	96" ADA Epoxy	Both Cutout	Black
<b>WAB-96G</b>	96" ADA Epoxy	Both Cutout	Pearl Gray
<b>WAB-96M</b>	96" ADA Epoxy	Both Cutout	Platinum Gray
<b>WAB-96S</b>	96" ADA Stainless Steel	Both Cutout	304 Stainless Steel

**Ceiling Soffit Diagrams**

**Ceiling Soffit with Hinged Access Panel**

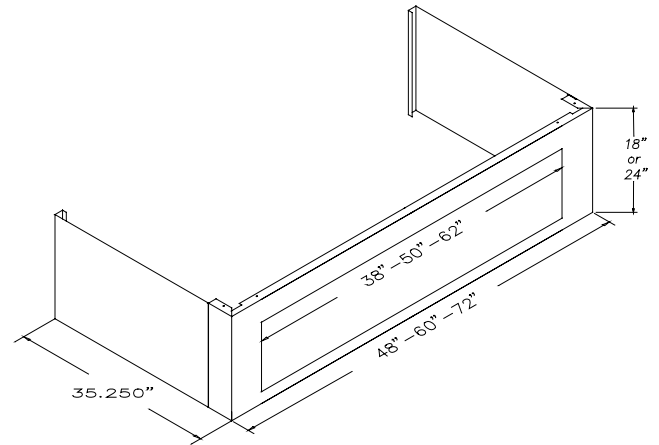


Hinged Access Panel units come with a SouthCo Hex Key Latch and wire pull.

**Example: CE048P-HA-18**

Hinged Panel Soffit, Painted, 48" width x 18" height

**Ceiling Soffit with Removable Access Panel**

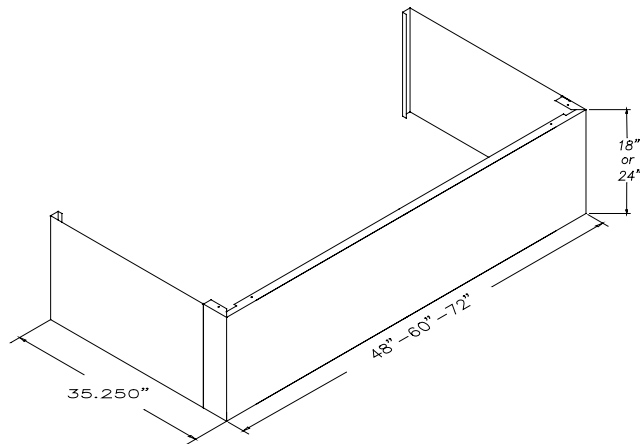


Removable Access Panels are held in place by screws.

**Example: CE0120P-RA-24**

Removable Panel Soffit, Painted, 120" width x 24" height (Two 60" soffits adjoined)

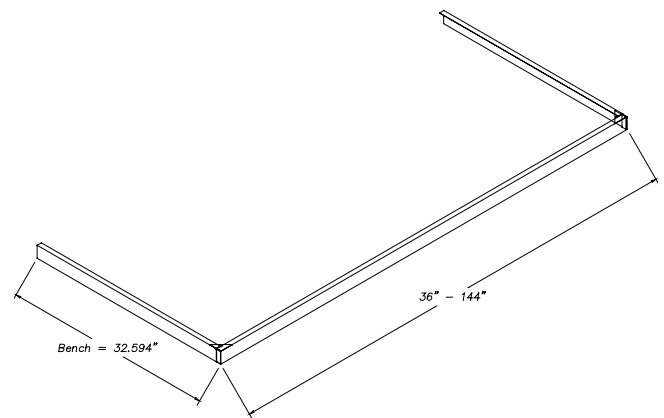
**Ceiling Soffit without Access Panel**



**Example: CE72S-NA-18**

No Access Panel Soffit, Stainless Steel, 72" width x 18" height

**Ceiling Soffit Trim**



**Example: CETRIM-P96**

Hinged Panel Soffit, Painted, 96" width

\*NOTE: For soffits wider than 96" there will be two (2) soffits adjacent of the appropriate size. For example: 144" Fume hood, two (2) 72" soffits adjoined. Please allow clearance height for the soffit so as not to have the ceiling height lower than the hinged point of the access panel to prevent opening.

**Fume Hood Accessories - Ceiling Soffits****Ceiling Soffits - With Hinged Access Panel****Painted Soffit Units**

<b>CE036P-HA-18</b>	36" Soffit	Hinged	18" Height
<b>CE036P-HA-24</b>	36" Soffit	Hinged	24" Height
<b>CE048P-HA-18</b>	48" Soffit	Hinged	18" Height
<b>CE048P-HA-24</b>	48" Soffit	Hinged	24" Height
<b>CE060P-HA-18</b>	60" Soffit	Hinged	18" Height
<b>CE060P-HA-24</b>	60" Soffit	Hinged	24" Height
<b>CE072P-HA-18</b>	72" Soffit	Hinged	18" Height
<b>CE072P-HA-24</b>	72" Soffit	Hinged	24" Height
<b>CE096P-HA-18</b>	96" Soffit	Hinged	18" Height
<b>CE096P-HA-24</b>	96" Soffit	Hinged	24" Height
<b>CE120P-HA-18</b>	120" Soffit	Hinged	18" Height
<b>CE120P-HA-24</b>	120" Soffit	Hinged	24" Height
<b>CE144P-HA-18</b>	144" Soffit	Hinged	18" Height
<b>CE144P-HA-24</b>	144" Soffit	Hinged	24" Height

**304 Stainless Steel Soffit Units**

<b>CE036S-HA-18</b>	36" Soffit	Hinged	18" Height
<b>CE036S-HA-24</b>	36" Soffit	Hinged	24" Height
<b>CE048S-HA-18</b>	48" Soffit	Hinged	18" Height
<b>CE048S-HA-24</b>	48" Soffit	Hinged	24" Height
<b>CE060S-HA-18</b>	60" Soffit	Hinged	18" Height
<b>CE060S-HA-24</b>	60" Soffit	Hinged	24" Height
<b>CE072S-HA-18</b>	72" Soffit	Hinged	18" Height
<b>CE072S-HA-24</b>	72" Soffit	Hinged	24" Height
<b>CE096S-HA-18</b>	96" Soffit	Hinged	18" Height
<b>CE096S-HA-24</b>	96" Soffit	Hinged	24" Height
<b>CE120S-HA-18</b>	120" Soffit	Hinged	18" Height
<b>CE120S-HA-24</b>	120" Soffit	Hinged	24" Height
<b>CE144S-HA-18</b>	144" Soffit	Hinged	18" Height
<b>CE144S-HA-24</b>	144" Soffit	Hinged	24" Height

**Ceiling Soffits – With Removable Access Panel**

**Painted Soffit Units**

<b>CE036P-RA-18</b>	36" Soffit	Removable	18" Height
<b>CE036P-RA-24</b>	36" Soffit	Removable	24" Height
<b>CE048P-RA-18</b>	48" Soffit	Removable	18" Height
<b>CE048P-RA-24</b>	48" Soffit	Removable	24" Height
<b>CE060P-RA-18</b>	60" Soffit	Removable	18" Height
<b>CE060P-RA-24</b>	60" Soffit	Removable	24" Height
<b>CE072P-RA-18</b>	72" Soffit	Removable	18" Height
<b>CE072P-RA-24</b>	72" Soffit	Removable	24" Height
<b>CE096P-RA-18</b>	96" Soffit	Removable	18" Height
<b>CE096P-RA-24</b>	96" Soffit	Removable	24" Height
<b>CE120P-RA-18</b>	120" Soffit	Removable	18" Height
<b>CE120P-RA-24</b>	120" Soffit	Removable	24" Height
<b>CE144P-RA-18</b>	144" Soffit	Removable	18" Height
<b>CE144P-RA-24</b>	144" Soffit	Removable	24" Height

**304 Stainless Steel Soffit Units**

<b>CE036S-RA-18</b>	36" Soffit	Removable	18" Hgt
<b>CE036S-RA-24</b>	36" Soffit	Removable	24" Hgt
<b>CE048S-RA-18</b>	48" Soffit	Removable	18" Hgt
<b>CE048S-RA-24</b>	48" Soffit	Removable	24" Hgt
<b>CE060S-RA-18</b>	60" Soffit	Removable	18" Hgt
<b>CE060S-RA-24</b>	60" Soffit	Removable	24" Hgt
<b>CE072S-RA-18</b>	72" Soffit	Removable	18" Hgt
<b>CE072S-RA-24</b>	72" Soffit	Removable	24" Hgt
<b>CE096S-RA-18</b>	96" Soffit	Removable	18" Hgt
<b>CE096S-RA-24</b>	96" Soffit	Removable	24" Hgt
<b>CE120S-RA-18</b>	120" Soffit	Removable	18" Hgt
<b>CE120S-RA-24</b>	120" Soffit	Removable	24" Hgt
<b>CE144S-RA-18</b>	144" Soffit	Removable	18" Hgt
<b>CE144S-RA-24</b>	144" Soffit	Removable	24" Hgt

**Fume Hood Accessories - Ceiling Soffits****Ceiling Soffits - Without Access Panel****Painted Soffit Units**

CE036P-NA-18	36" Soffit	No Access	18" Height
CE036P-NA-24	36" Soffit	No Access	24" Height
CE048P-NA-18	48" Soffit	No Access	18" Height
CE048P-NA-24	48" Soffit	No Access	24" Height
CE060P-NA-18	60" Soffit	No Access	18" Height
CE060P-NA-24	60" Soffit	No Access	24" Height
CE072P-NA-18	72" Soffit	No Access	18" Height
CE072P-NA-24	72" Soffit	No Access	24" Height
CE096P-NA-18	96" Soffit	No Access	18" Height
CE096P-NA-24	96" Soffit	No Access	24" Height
CE120P-NA-18	120" Soffit	No Access	18" Height
CE120P-NA-24	120" Soffit	No Access	24" Height
CE144P-NA-18	144" Soffit	No Access	18" Height
CE144P-NA-24	144" Soffit	No Access	24" Height

**304 Stainless Steel Soffit Units**

CE036S-NA-18	36" Soffit	No Access	18" Height
CE036S-NA-24	36" Soffit	No Access	24" Height
CE048S-NA-18	48" Soffit	No Access	18" Height
CE048S-NA-24	48" Soffit	No Access	24" Height
CE060S-NA-18	60" Soffit	No Access	18" Height
CE060S-NA-24	60" Soffit	No Access	24" Height
CE072S-NA-18	72" Soffit	No Access	18" Height
CE072S-NA-24	72" Soffit	No Access	24" Height
CE096S-NA-18	96" Soffit	No Access	18" Height
CE096S-NA-24	96" Soffit	No Access	24" Height
CE120S-NA-18	120" Soffit	No Access	18" Height
CE120S-NA-24	120" Soffit	No Access	24" Height
CE144S-NA-18	144" Soffit	No Access	18" Height
CE144S-NA-24	144" Soffit	No Access	24" Height

**Ceiling Soffit Trim**

**Painted Trim Units**

<b>CETRIM-P36</b>	36" Ceiling Soffit Trim	Painted
<b>CETRIM-P48</b>	48" Ceiling Soffit Trim	Painted
<b>CETRIM-P60</b>	60" Ceiling Soffit Trim	Painted
<b>CETRIM-P72</b>	72" Ceiling Soffit Trim	Painted
<b>CETRIM-P96</b>	96" Ceiling Soffit Trim	Painted
<b>CETRIM-P120</b>	120" Ceiling Soffit Trim	Painted
<b>CETRIM-P144</b>	144" Ceiling Soffit Trim	Painted

**304 Stainless Steel Trim Units**

<b>CETRIM-S36</b>	36" Ceiling Soffit Trim	304 Stainless Steel
<b>CETRIM-S48</b>	48" Ceiling Soffit Trim	304 Stainless Steel
<b>CETRIM-S60</b>	60" Ceiling Soffit Trim	304 Stainless Steel
<b>CETRIM-S72</b>	72" Ceiling Soffit Trim	304 Stainless Steel
<b>CETRIM-S96</b>	96" Ceiling Soffit Trim	304 Stainless Steel
<b>CETRIM-S120</b>	120" Ceiling Soffit Trim	304 Stainless Steel
<b>CETRIM-S144</b>	144" Ceiling Soffit Trim	304 Stainless Steel

**Fume Hood Accessories – Replacement Fascias & Side Panels****Replacement Fascias & Side Panels****FOR HOOD SERIES: F-100 – 103, F-181-2 – 183-4, F-400 – 403, F-703, F-971**

1-FS01            Replace Painted Fascias            304 Stainless Steel

**FOR HOOD SERIES: F-170 – 173**

17-FS01            Replace Painted Fascias (4)            304 Stainless Steel

**FOR HOOD SERIES: F-200 – 203, F-250 – 253, F-803**

2-FS01            Replace Painted Fascias            304 Stainless Steel

**FOR HOOD SERIES: F-292**

29-FS01            Replace Painted Fascias (4)            304 Stainless Steel

**FOR HOOD SERIES: F-500 – 503**

4-FS01            Replace Painted Fascias            316 Stainless Steel

**FOR HOOD SERIES: F-600 – 603**

6-FS01            Replace Painted Fascias            304 Stainless Steel

**FOR HOOD SERIES: F-900 – 901, F-960 – 961, F-301**

9-FS01            Replace Painted Fascias            304 Stainless Steel

**FOR HOOD SERIES: F-100 – 103, F-170 – 173, F-181-2 – 183-4, F-400 – 403, F-703, F-971**

1-NS01            Replace Painted Side Panels            304 Stainless Steel

**FOR HOOD SERIES: F-200 – 203, F-803**

2-NS01            Replace Painted Side Panels            304 Stainless Steel

**FOR HOOD SERIES: F-250 – 253, F-292**

25-NS01            Replace Painted Side Panels            304 Stainless Steel

**FOR HOOD SERIES: F-500 – 503**

4-NS01            Replace Painted Side Panels            316 Stainless Steel

**FOR HOOD SERIES: F-600 – 603**

6-NS01            Replace Painted Side Panels            304 Stainless Steel

**FOR HOOD SERIES: F-900 – 901, F-960 – 961, F-301**

9-NS01            Replace Painted Side Panels            304 Stainless Steel

**Replacement Tempered Sash Glass with Laminated Glass  
(Frameless Vertical Sash Hoods)**

**FOR HOOD SERIES: F-100, F-400, F-500**

1-GV36	36" Hood	Replacement Tempered with Laminated
1-GV48	48" Hood	Replacement Tempered with Laminated
1-GV60	60" Hood	Replacement Tempered with Laminated
1-GV72	72" Hood	Replacement Tempered with Laminated
1-GV96	96" Hood	Replacement Tempered with Laminated

**FOR HOOD SERIES: F-170**

17-GV96	96" Hood	Replacement Tempered with Laminated
17-GV120	120" Hood	Replacement Tempered with Laminated
17-GV144	144" Hood	Replacement Tempered with Laminated

**FOR HOOD SERIES: F-200, 250**

2-GV48	48" Hood	Replacement Tempered with Laminated
2-GV60	60" Hood	Replacement Tempered with Laminated
2-GV72	72" Hood	Replacement Tempered with Laminated
2-GV96	96" Hood	Replacement Tempered with Laminated

**FOR HOOD SERIES: F-600**

6-GV36	36" Hood	Replacement Tempered with Laminated
6-GV48	48" Hood	Replacement Tempered with Laminated
6-GV60	60" Hood	Replacement Tempered with Laminated
6-GV72	72" Hood	Replacement Tempered with Laminated
6-GV96	96" Hood	Replacement Tempered with Laminated

\*Note: F-900 – 901 and F-960 – 961 fume hoods come with laminated glass only.

**Fume Hood Accessories – Sash Options****Replacement Tempered Sash Glass with Laminated Glass  
(Combination Sash Hoods)****FOR HOOD SERIES: F-101, F-401, F-501, F-971**

1-GC48	48" Hood	Replacement Tempered with Laminated
1-GC60	60" Hood	Replacement Tempered with Laminated
1-GC72	72" Hood	Replacement Tempered with Laminated
1-GC96	96" Hood	Replacement Tempered with Laminated
1-GC120	120" Hood	Replacement Tempered with Laminated
1-GC144	144" Hood	Replacement Tempered with Laminated

**FOR HOOD SERIES: F-171**

17-GC96	96" Hood	Replacement Tempered with Laminated
17-GC120	120" Hood	Replacement Tempered with Laminated
17-GC144	144" Hood	Replacement Tempered with Laminated

**FOR HOOD SERIES: F-181-2**

18-2-GC96	96" Hood	Replacement Tempered with Laminated
18-2-GC120	120" Hood	Replacement Tempered with Laminated
18-2-GC144	144" Hood	Replacement Tempered with Laminated

**FOR HOOD SERIES: F-201, F-251**

2-GC48	48" Hood	Replacement Tempered with Laminated
2-GC60	60" Hood	Replacement Tempered with Laminated
2-GC72	72" Hood	Replacement Tempered with Laminated
2-GC96	96" Hood	Replacement Tempered with Laminated
2-GC120	120" Hood	Replacement Tempered with Laminated
2-GC144	144" Hood	Replacement Tempered with Laminated

**FOR HOOD SERIES: F-601**

6-GC48	48" Hood	Replacement Tempered with Laminated
6-GC60	60" Hood	Replacement Tempered with Laminated
6-GC72	72" Hood	Replacement Tempered with Laminated
6-GC96	96" Hood	Replacement Tempered with Laminated

\*Note: F-900 – 901 and F-960 – 961 fume hoods come with laminated glass only.

**Replacement Tempered Sash Glass with Laminated Glass  
(Framed Vertical Sash Hoods)**

**FOR HOOD SERIES: F-103, F-403, F-503**

1-GF36	36" Hood	Replacement Tempered with Laminated
1-GF48	48" Hood	Replacement Tempered with Laminated
1-GF60	60" Hood	Replacement Tempered with Laminated
1-GF72	72" Hood	Replacement Tempered with Laminated
1-GF96	96" Hood	Replacement Tempered with Laminated

**FOR HOOD SERIES: F-173**

17-GF96	96" Hood	Replacement Tempered with Laminated
17-GF120	120" Hood	Replacement Tempered with Laminated
17-GF144	144" Hood	Replacement Tempered with Laminated

**FOR HOOD SERIES: F-183-2**

18-2-GF96	96" Hood	Replacement Tempered with Laminated
18-2-GF120	120" Hood	Replacement Tempered with Laminated
18-2-GF144	144" Hood	Replacement Tempered with Laminated

**FOR HOOD SERIES: F-183-4**

18-4-GF120	120" Hood	Replacement Tempered with Laminated
18-4-GF144	144" Hood	Replacement Tempered with Laminated

\*Note: F-900 – 901 and F-960 – 961 fume hoods come with laminated glass only.

**Fume Hood Accessories – Sash Options****Replacement Tempered Sash Glass with Laminated Glass  
(Framed Vertical Sash Hoods)****FOR HOOD SERIES: F-203, F-253**

2-GF48	48" Hood	Replacement Tempered with Laminated
2-GF60	60" Hood	Replacement Tempered with Laminated
2-GF72	72" Hood	Replacement Tempered with Laminated
2-GF96	96" Hood	Replacement Tempered with Laminated
2-GF120	120" Hood	Replacement Tempered with Laminated
2-GF144	144" Hood	Replacement Tempered with Laminated

**FOR HOOD SERIES: F-603**

6-GF36	36" Hood	Replacement Tempered with Laminated
6-GF48	48" Hood	Replacement Tempered with Laminated
6-GF60	60" Hood	Replacement Tempered with Laminated
6-GF72	72" Hood	Replacement Tempered with Laminated
6-GF96	96" Hood	Replacement Tempered with Laminated

**FOR HOOD SERIES: F-703**

7-GF36	36" Hood	Replacement Tempered with Laminated
7-GF48	48" Hood	Replacement Tempered with Laminated
7-GF60	60" Hood	Replacement Tempered with Laminated
7-GF72	72" Hood	Replacement Tempered with Laminated
7-GF96	96" Hood	Replacement Tempered with Laminated

**FOR HOOD SERIES: F-803**

8-GF48	48" Hood	Replacement Tempered with Laminated
8-GF60	60" Hood	Replacement Tempered with Laminated
8-GF72	72" Hood	Replacement Tempered with Laminated
8-GF96	96" Hood	Replacement Tempered with Laminated
8-GF120	120" Hood	Replacement Tempered with Laminated
8-GF144	144" Hood	Replacement Tempered with Laminated

**Replacement Tempered Sash Glass with Laminated Glass  
(Horizontal Sash Hoods)**

**FOR HOOD SERIES: F-102**

1-GH48	48" Hood	Replacement Tempered with Laminated
1-GH60	60" Hood	Replacement Tempered with Laminated
1-GH72	72" Hood	Replacement Tempered with Laminated
1-GH96	96" Hood	Replacement Tempered with Laminated

**FOR HOOD SERIES: F-202, F-252**

2-GH48	48" Hood	Replacement Tempered with Laminated
2-GH60	60" Hood	Replacement Tempered with Laminated
2-GH72	72" Hood	Replacement Tempered with Laminated
2-GH96	96" Hood	Replacement Tempered with Laminated
2-GH120	120" Hood	Replacement Tempered with Laminated
2-GH144	144" Hood	Replacement Tempered with Laminated

**FOR HOOD SERIES: F-292**

29-GH72	72" Hood	Replacement Tempered with Laminated
29-GH96	96" Hood	Replacement Tempered with Laminated
29-GH120	120" Hood	Replacement Tempered with Laminated
29-GH144	144" Hood	Replacement Tempered with Laminated

**FOR HOOD SERIES: F-602**

6-GH48	48" Hood	Replacement Tempered with Laminated
6-GH60	60" Hood	Replacement Tempered with Laminated
6-GH72	72" Hood	Replacement Tempered with Laminated
6-GH96	96" Hood	Replacement Tempered with Laminated



## Fume Hood Accessories – Special Options

### Monitor/Alarms

M01-A200	Monitor/Alarm	Velocity	Alnor-200	
M01-A200-L	Monitor/Alarm	Velocity	Alnor-200	Loose
M01-A385	Monitor/Alarm	Velocity	Alnor-385	
M01-A385-L	Monitor/Alarm	Velocity	Alnor-385	Loose
M01-J	Monitor/Alarm	Velocity	Jamestown	
M01-J-L	Monitor/Alarm	Velocity	Jamestown	Loose
M01-T	Monitor/Alarm	Velocity	Tel 1000	
M01-T-L	Monitor/Alarm	Velocity	Tel 1000	Loose
M01-T500	Monitor/Alarm	Velocity	Tel 500	
M01-T500-L	Monitor/Alarm	Velocity	Tel 500	Loose
M02	Monitor/Alarm	Vapor Detector	Jamestown	
M02-L	Monitor/Alarm	Vapor Detector	Jamestown	Loose



M01



M02

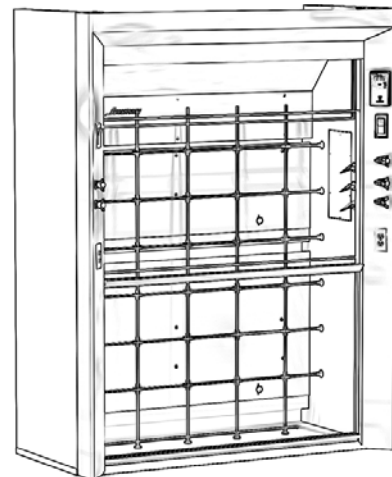
\*Note: Alarm must be located on the fascia panel and always above the clear sash opening.

### Pressure Gauges

M03-0	Magnehelic Pressure Gauge 0 – 1/2" Wg	Mounted
M03-1	Magnehelic Pressure Gauge 0 – 1" Wg	Mounted
M03-2	Magnehelic Pressure Gauge 0 – 2" Wg	Mounted
M03-3	Magnehelic Pressure Gauge 0 – 3" Wg	Mounted

**Distillation Racks**

<b>DB-36</b>	36" Distillation Rack	Bench
<b>DB-36T304</b>	36" Distillation Rack	Bench
<b>DB-36T316</b>	36" Distillation Rack	Bench
<b>DB-48</b>	48" Distillation Rack	Bench
<b>DB-48T316</b>	48" Distillation Rack	Bench
<b>DB-60</b>	60" Distillation Rack	Bench
<b>DB-60T316</b>	60" Distillation Rack	Bench
<b>DB-72</b>	72" Distillation Rack	Bench
<b>DB-72T316</b>	72" Distillation Rack	Bench
<b>DB-96</b>	96" Distillation Rack	Bench
<b>DB-96T316</b>	96" Distillation Rack	Bench
<b>DW-48</b>	48" Distillation Rack	Walk-In
<b>DW-60</b>	60" Distillation Rack	Walk-In
<b>DW-72</b>	72" Distillation Rack	Walk-In
<b>DW-96</b>	96" Distillation Rack	Walk-In



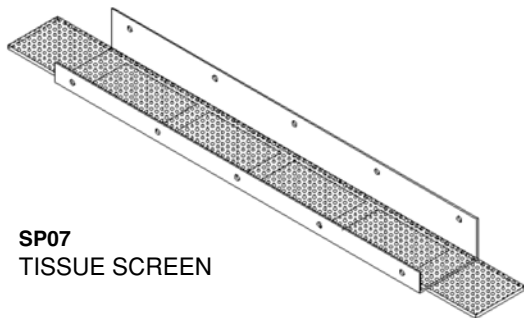
1/2" aluminum rods with connectors.

\*Note: The number of horizontal and vertical rods vary between Bench Hoods and Walk-Ins.

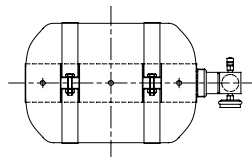
## Fume Hood Accessories – Special Options

### Special Options

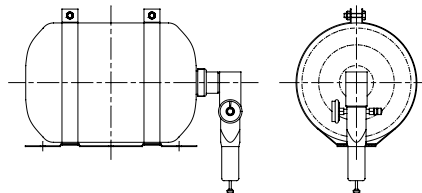
<b>SP01</b>	Gravity Sash Stops (set of 2)		
<b>SP02</b>	Label	Face 100 CFM	
<b>SP03</b>	Label	Face Velocity	
<b>SP04-2</b>	Steam Bath	2 Rings, 5" dia.	
<b>SP04-4</b>	Steam Bath	4 Rings, 4" dia.	
<b>SP04-6</b>	Steam Bath	6 Rings, 5" dia.	
<b>SP04-7</b>	Steam Bath	7 Rings, 5" dia.	
<b>SP04-8</b>	Steam Bath	8 Rings, 5" dia.	
<b>SP05</b>	Fume Hood Fire Extinguisher	Activated Fusible Link	w/ Cable Activated Emergency Shut-off
<b>SP06</b>	Label	Logo etched in glass viewpass panel	
<b>SP07</b>	Tissue Screen	304 Stainless Steel	
<b>SP08</b>	Label	Sash Stop Decal	
<b>SP09</b>	Label	Radiation	
<b>SP10</b>	Fume Hood Fire Extinguisher	with Self Contained Fusible Link	
<b>SP11</b>	Label	Fume Hood Operation Decal	
<b>SP12</b>	Label	Face	Purchased Part Specification
<b>SP13</b>	Label	Face	Set Up Condition, LH
<b>SP13-R</b>	Label	Face	Set Up Condition, RH



**SP07**  
TISSUE SCREEN



**SP10**  
FUME HOOD FIRE EXTINGUISHER

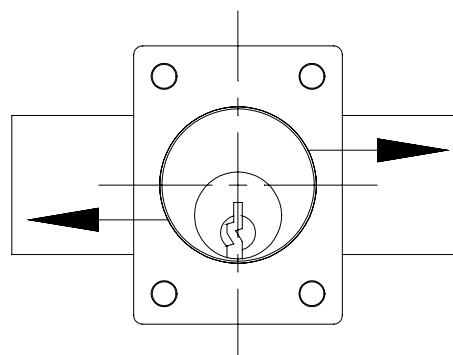


**Special Options**

<b>SP14</b>	Label	Face	Disability
<b>SP15</b>	Label	Industrial Water – Do Not Drink	
<b>SP16</b>	Dilution Tank	Undercounter	6 Gallon
<b>SP17</b>	Trap	All Way	Adjustable Riser
<b>SP18</b>	Trap	Bottle	Adjustable Riser
<b>SP19</b>	Micro Switch	Sash Detector	
<b>SP20</b>	Lockable Sash Unit		



**SP19**  
MICRO SWITCH (SASH DETECTOR)



**SP20**  
LOCKABLE SASH UNIT

<b>SP21-36</b>	SS, Fume Hood Shelf, 36" W	12" Deep	Bracket and Unistrut Sold Separately
<b>SP21-48</b>	SS, Fume Hood Shelf, 48" W	12" Deep	Bracket and Unistrut Sold Separately
<b>SP21-60</b>	SS, Fume Hood Shelf, 60" W	12" Deep	Bracket and Unistrut Sold Separately
<b>SP21-72</b>	SS, Fume Hood Shelf, 72" W	12" Deep	Bracket and Unistrut Sold Separately
<b>SP21-96</b>	SS, Fume Hood Shelf, 96" W	12" Deep	Bracket and Unistrut Sold Separately

**Fume Hood Accessories – Special Options****Special Options**

<b>SP26</b>	Polyglass Liner Cleaner	
<b>SP27</b>	Stainless Steel Cleaner	
<b>SP28</b>	Bacterial Disinfectant Cleaner	
<b>SP29</b>	Absolute Filter Housing	
<b>SP30</b>	Label	Remote Control Baffle
<b>SP31</b>	Label	Baffle Slot Size
<b>SP32</b>	Factory Installed TSI-8610	Supplied by Customer
<b>SP37</b>	Air Flow Monitor with High Limit Switch	
<b>SP38</b>	Automatic Sash Return	
<b>SP40</b>	Automatic Sash Open/Close, Single Speed	
<b>SP41</b>	Phoenix, Monitor, FHM-410	
<b>SP42</b>	Phoenix, Potentiometer, VSS-110	
<b>SP43</b>	Mount and Prewire Phoenix Alarm	
<b>SP45</b>	Automatic Sash Open/Close, Dual Speed	
<b>SP45-96-2</b>	Automatic Sash, Dual Postless, 96"	
<b>SP48</b>	Phoenix Monitor, SHM630	
<b>SP50</b>	Automatic Sash Close Only	
<b>SP51</b>	Automatic Sash with Phoenix ZPS Close Only	
<b>SP52</b>	Automatic Sash with Phoenix ZPS Open/Close, Single Speed	
<b>SP53</b>	UPS for JMP Alarms	

**Knock-Down Options (KD)**

<b>1-KD36</b>	36" Fume Hood	Shipped Knock-Down (KD)
<b>1-KD48</b>	48" Fume Hood	Shipped Knock-Down (KD)
<b>1-KD60</b>	60" Fume Hood	Shipped Knock-Down (KD)
<b>1-KD72</b>	72" Fume Hood	Shipped Knock-Down (KD)
<b>1-KD96</b>	96" Fume Hood	Shipped Knock-Down (KD)
<b>1-KD120</b>	120" Fume Hood	Shipped Knock-Down (KD)
<b>1-KD144</b>	144" Fume Hood	Shipped Knock-Down (KD)

**Fume Hood Testing**

<b>OTH-0001</b>	ASHRAE Test at Factory	Per Hood
<b>OTH-0002</b>	ASHRAE Test at Job Site	Call for Quote

## Fume Hood Accessories – Modifications

### Modifications

<b>MOD-0001</b>	Modification	Hole Positions (per fascia)
<b>MOD-0003</b>	Modification	Removable Gasketed Interior
<b>MOD-0004</b>	Modification	VAV Sash Positioning
<b>MOD-0005</b>	Modification	Remote Control Baffle
<b>MOD-0006</b>	Modification	Single Point ADJ. Baffle
<b>MOD-0007</b>	Modification	Non-Metal Hardware in Hood
<b>MOD-0008</b>	Modification	Flanged Duct Transition
<b>MOD-0009</b>	Modification	Square Duct Collar
<b>MOD-0010</b>	Modification	Painted Stainless Lower Air Foil
<b>MOD-0011-4</b>	Modification	4 ft. ADA Stainless Trough
<b>MOD-0011-5</b>	Modification	5 ft. ADA Stainless Trough
<b>MOD-0011-6</b>	Modification	6 ft. ADA Stainless Trough
<b>MOD-0011-8</b>	Modification	8 ft. ADA Stainless Trough
<b>MOD-0012</b>	4" x 6" Plastic Card Holder	
<b>MOD-0013</b>	EW Fiberglass Uni-strut 42" Long	
<b>MOD-0015I</b>	Cylinder Strap Support	Interior
<b>MOD-0015E</b>	Cylinder Strap Support	Exterior
<b>MOD-0016</b>	Stainless Steel Uni-strut P1000	



**MOD-017**  
Pulsegate  
Variable Voltage  
Power Supply



**MOD-018**  
Varisine  
Voltage Regulator

**Modifications**

<b>MOD-0020</b>	Mod, 48" Bench Finished Hood Back, Painted
<b>MOD-0021</b>	Mod, 60" Bench Finished Hood Back, Painted
<b>MOD-0022</b>	Mod, 72" Bench Finished Hood Back, Painted
<b>MOD-0023</b>	Mod, 96" Bench Finished Hood Back, Painted
<b>MOD-0024</b>	Mod, 120" Bench Finished Hood Back, Painted
<b>MOD-0025</b>	Mod, 144" Bench Finished Hood Back, Painted
<b>MOD-0026</b>	Mod, 48" Walk-In Finished Hood Back, Painted
<b>MOD-0027</b>	Mod, 60" Walk-In Finished Hood Back, Painted
<b>MOD-0028</b>	Mod, 72" Walk-In Finished Hood Back, Painted
<b>MOD-0029</b>	Mod, 96" Walk-In Finished Hood Back, Painted
<b>MOD-0030</b>	Mod, 120" Walk-In Finished Hood Back, Painted
<b>MOD-0031</b>	Mod, 144" Walk-In Finished Hood Back, Painted
<b>MOD-0032</b>	Mod, 48" OS Hgt. Finished Hood Back, Painted
<b>MOD-0033</b>	Mod, 60" OS Hgt. Finished Hood Back, Painted
<b>MOD-0034</b>	Mod, 72" OS Hgt. Finished Hood Back, Painted
<b>MOD-0035</b>	Mod, 96" OS Hgt. Finished Hood Back, Painted
<b>MOD-0036</b>	Seismic brackets, Pair, 14 Gauge, Galvanized, Shipped Loose
<b>MOD-0037</b>	Ceiling Soffit Sides, For 900 and 901 Series FH, 24" Hlgh
<b>MOD-0038</b>	Pre-Mounted Fixtures and Outlets
<b>MOD-0040</b>	Duct Collar, Bell-Shaped Polyethylene, 10" Diameter
<b>MOD-0041</b>	Duct Collar, Bell-Shaped Polyethylene, 12" Diameter

**This page was intentionally left blank.**