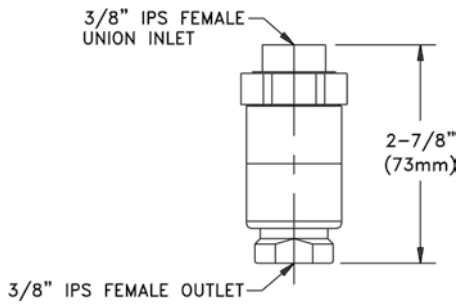


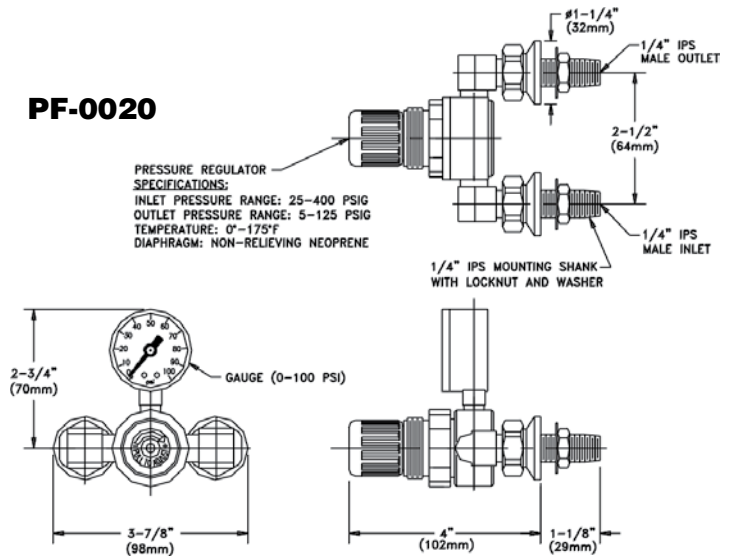
**Fixture Accessories**

<b>PF-0010</b>	Backflow Prevention	Check Valve	
<b>PF-0020</b>	Pressure Regulator	Vertical	Panel Mount
<b>PF-0030</b>	Quick Disconnect Interior Fitting		
<b>PF-0040</b>	Vacuum Breaker	External	Face Mount
<b>PF-0050</b>	Vacuum Breaker	External	Top Mount

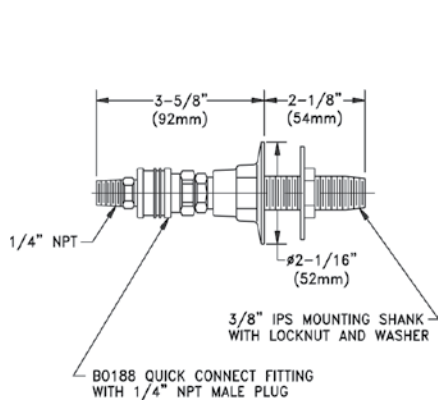
**PF-0010**



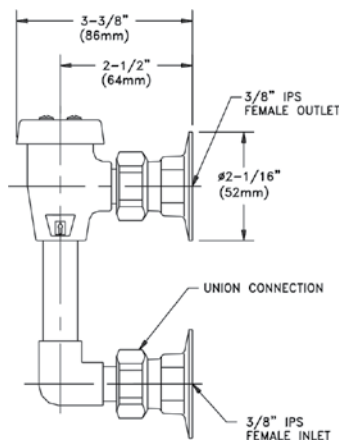
**PF-0020**



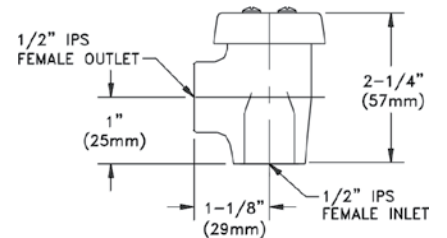
**PF-0030**



**PF-0040**



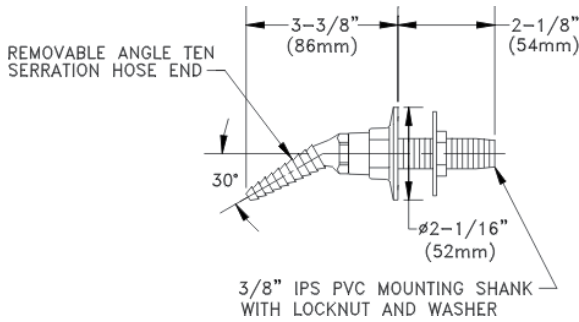
**PF-0050**



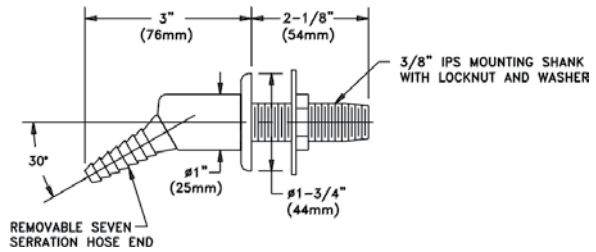
## Fume Hood Plumbing – Outlet Options

### Outlet Options

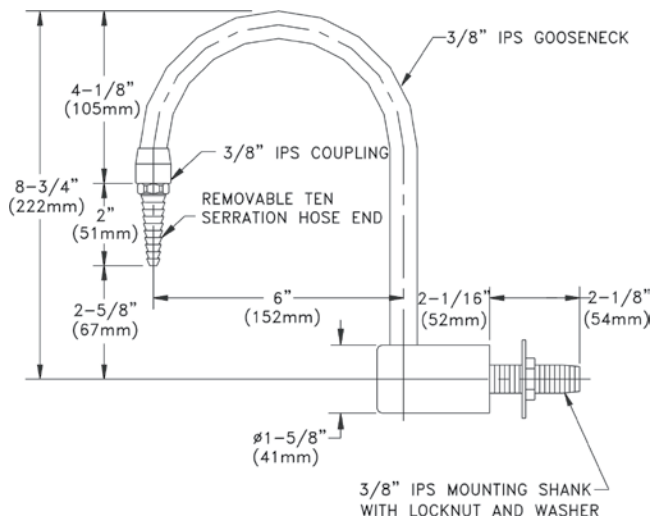
PF-0060	Outlet	Gas	Serrated	
PF-0060-VR	Outlet	Gas	Serrated	Vandal Resistant
PF-0070	Outlet	Gas	Serrated	HOPEC/ADA
PF-0080	Outlet	Steam	Serrated	
PF-0090	Outlet	Steam	Serrated	HOPEC/ADA
PF-0100	Outlet	Water	Serrated	
PF-0110	Outlet	Water	Gooseneck	
PF-0120	Outlet	Water	Gooseneck	VB
PF-0120-VR	Outlet	Water	Gooseneck	Vandal Resistant



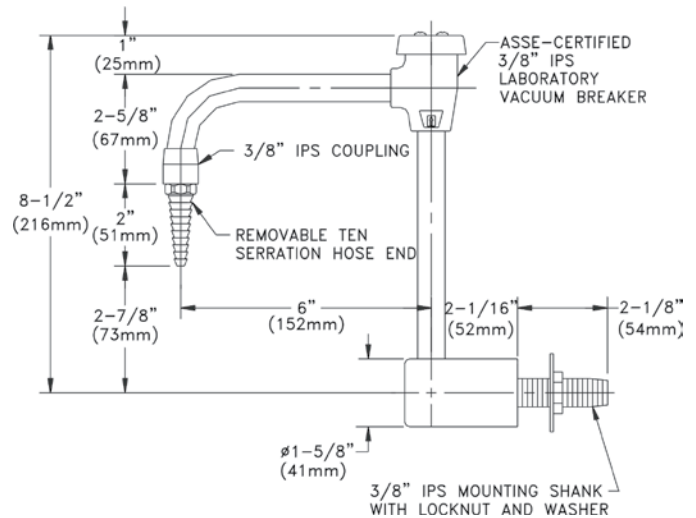
**For use with outlets: PF-0060/0080/0100**



**For use with outlets: PF-0070/0090**



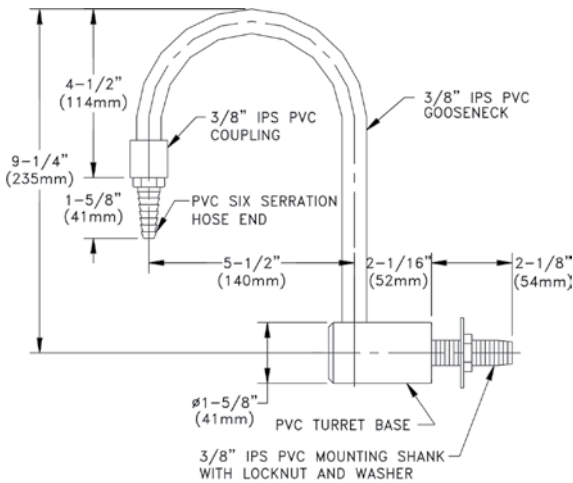
**For use with outlets: PF-0110**



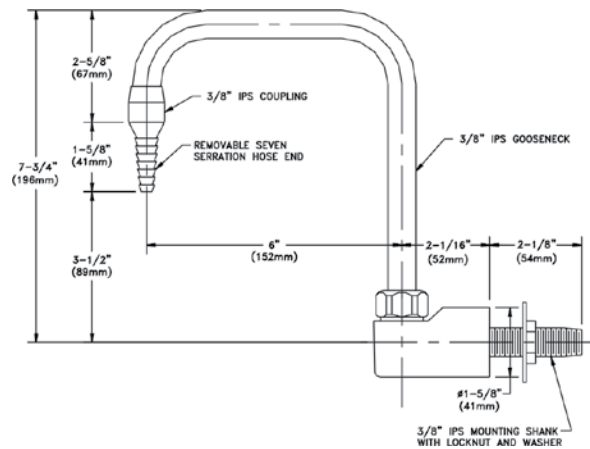
**For use with outlets: PF-0120**

**Outlet Options**

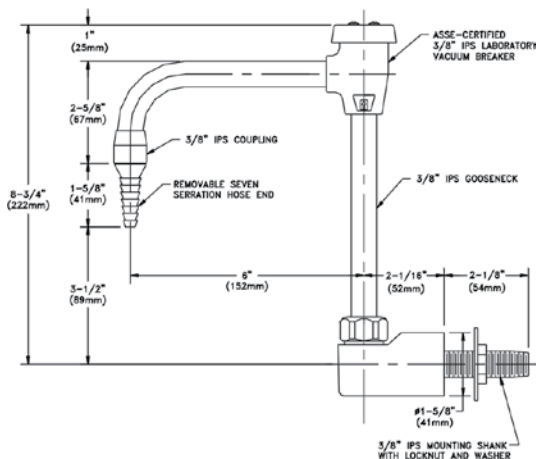
PF-0130	Outlet	Water	Gooseneck	Deion	Polypro
PF-0140	Outlet	Water	Gooseneck	Distilled	PVC
PF-0150	Outlet	Water	Gooseneck	HOPEC/ADA	
PF-0160	Outlet	Water	Gooseneck	HOPEC/ADA	VB
PF-0170	Outlet	Water	Right Angle		
PF-0180	Outlet	Water	Right Angle		VB



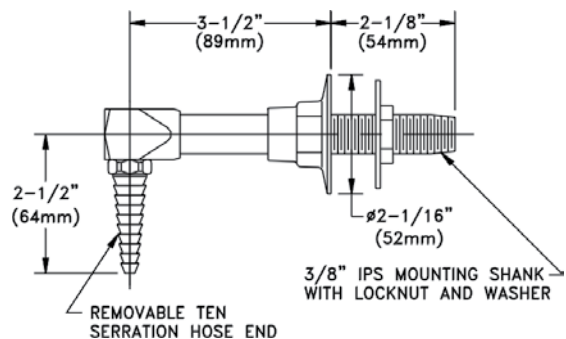
**For use with outlets: PF-0130\*/0140**  
\*PVC areas are replaced with Polypropylene



**For use with outlets: PF-0150**



**For use with outlets: PF-0160**



**For use with outlets: PF-0170\***

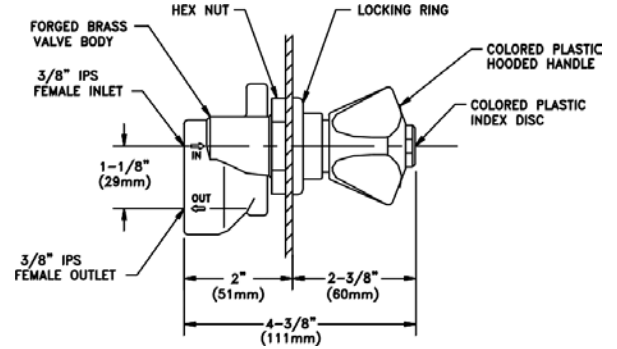
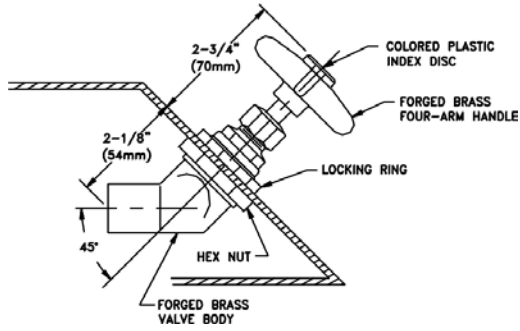
\*Item made for front cupsink worktops

\*PF-0180 with VB also available in lieu of gooseneck outlet on ADA units

**Fume Hood Plumbing – Valve Options****Valve Options**

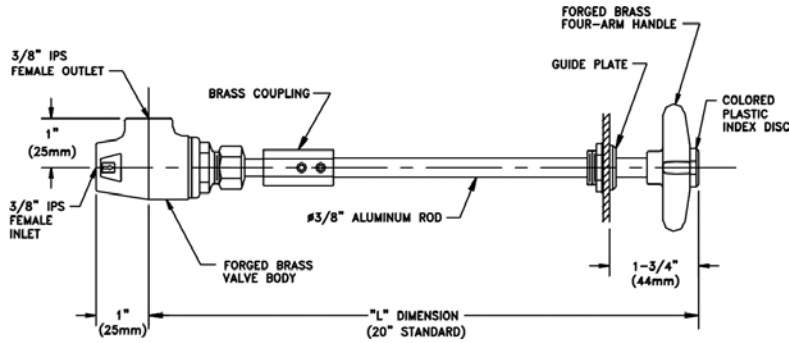
<b>PF-0190</b>	Valve	Front Load	Gas		
<b>PF-0200</b>	Valve	Front Load	Gas	Fine Control	
<b>PF-0210</b>	Valve	Front Load	Gas	HOPEC/ADA	
<b>PF-0215</b>	Valve	Front Load	Gas	STRA	
<b>PF-0220</b>	Valve	Front Load	H&C Mix		
<b>PF-0230</b>	Valve	Front Load	H&C Mix	HOPEC/ADA	
<b>PF-0240</b>	Valve	Front Load	Steam		
<b>PF-0250</b>	Valve	Front Load	Steam	HOPEC/ADA	
<b>PF-0260</b>	Valve	Front Load	Water		
<b>PF-0270</b>	Valve	Front Load	Water	HOPEC/ADA	
<b>PF-0280</b>	Valve	Rod Driven	Gas		
<b>PF-0280-VR</b>	Valve	Rod Driven	Gas	Vandal Resistant	
<b>PF-0290</b>	Valve	Rod Driven	Gas	Fine Control	
<b>PF-0300</b>	Valve	Rod Driven	Gas	Lever	
<b>PF-0310</b>	Valve	Rod Driven	H&C Mix		
<b>PF-0320</b>	Valve	Rod Driven	H&C Mix	Lever	
<b>PF-0330</b>	Valve	Rod Driven	Steam		
<b>PF-0340</b>	Valve	Rod Driven	Steam	Lever	
<b>PF-0350</b>	Valve	Rod Driven	Water		
<b>PF-0350-VR</b>	Valve	Rod Driven	Water	Vandal Resistant	
<b>PF-0360</b>	Valve	Rod Driven	Water	Deion	Polypro
<b>PF-0370</b>	Valve	Rod Driven	Water	Distilled	PVC
<b>PF-0380</b>	Valve	Rod Driven	Water	Lever	

Valve Options

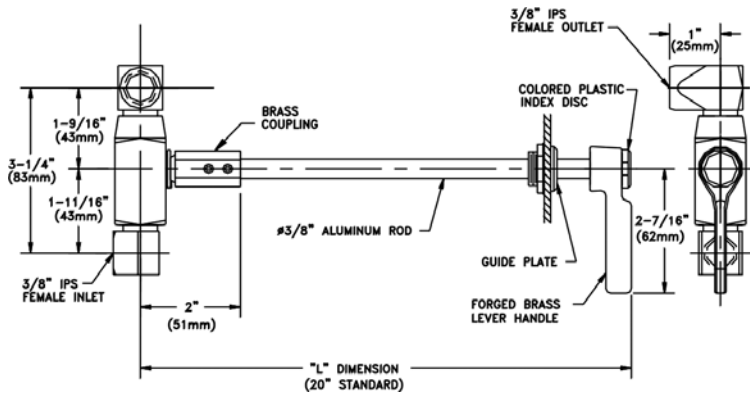


For use with valves:  
**PF-0190/0200/0220/0240/0260**

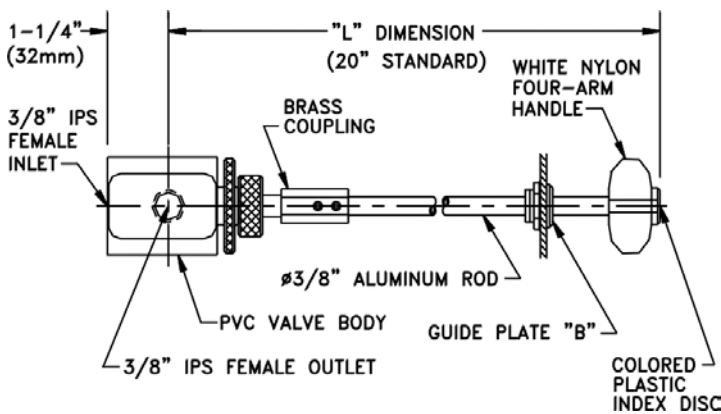
Used for HOPEC / ADA Fume Hoods.  
 For use with valves:  
**PF-0210/0230/0250/0270**



For use with valves:  
**PF-0280/0290/0310/0330/0350**



For use with valves:  
**PF-0300/0320/0340/0380**



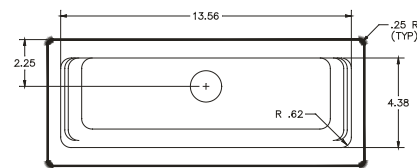
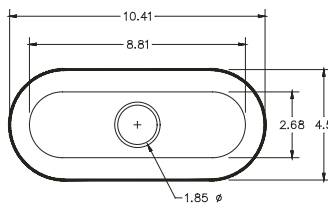
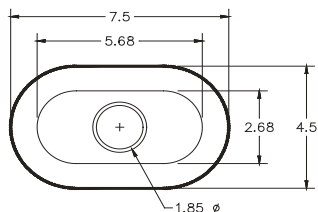
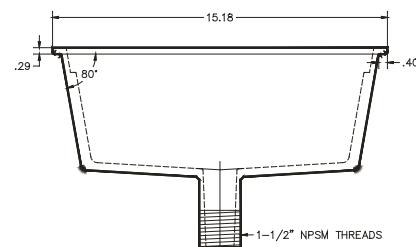
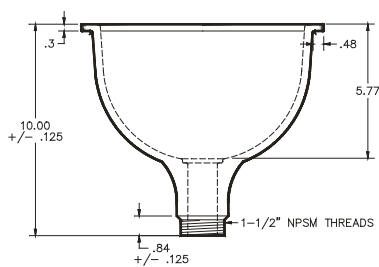
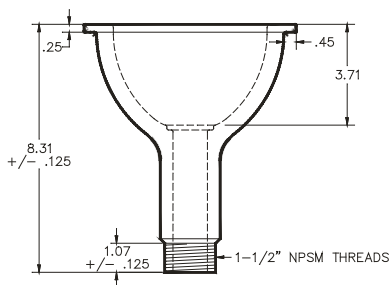
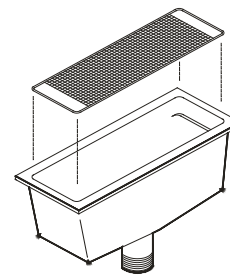
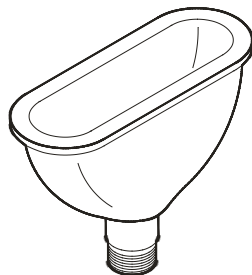
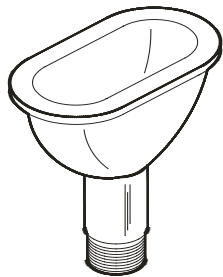
For use with valves:  
**PF-0360/0370**

**Fume Hood Plumbing – Cupsink Options****Cupsink Options**

<b>CS01-6-B</b>	3"x 6" Epoxy	Oval Mount	Black
<b>CS01-6-G</b>	3"x 6" Epoxy	Oval Mount	Pearl Gray
<b>CS01-6-M</b>	3"x 6" Epoxy	Oval Mount	Platinum Gray
<b>CS01-9-B</b>	3"x 9" Epoxy	Oval Mount	Black
<b>CS01-9-G</b>	3"x 9" Epoxy	Oval Mount	Pearl Gray
<b>CS01-9-M</b>	3"x 9" Epoxy	Oval Mount	Platinum Gray
<b>CS02-6-A</b>	3"x 6" Glass	Oval Mount	
<b>CS02-9-A</b>	3"x 9" Glass	Oval Mount	
<b>CS03-6-S</b>	3"x 6" 316 Stainless Steel	Oval Mount	
<b>CS03-9-S</b>	3"x 9" 316 Stainless Steel	Oval Mount	
<b>CS04-6-B</b>	3"x 6" Polypropylene	Oval Mount	Black
<b>CS04-9-B</b>	3"x 9" Polypropylene	Oval Mount	Black
<b>CS05-5-B</b>	5"x 14" Polypropylene	Rectangle	Black
<b>CS06-6-B</b>	3"x 6" Polypropylene	Oval Wall Mount with 90° elbow and backnut	Black
<b>CS07-5-B</b>	5"x 14" Polypropylene	Rectangle Wall Mount with 90° elbow and backnut 316 stainless steel screen support bracket	Black
<b>CS07-5-S</b>	5"x 14" 316 Stainless	Rectangle Wall Mount with 90° elbow and backnut 316 stainless steel screen support bracket	
<b>CS08-5-B</b>	5"x 14" Polypropylene	Rectangle Deck Mount 316 stainless steel screen support bracket	Black
<b>CS08-5-S</b>	5"x 14" 316 Stainless	Rectangle Deck Mount 316 stainless steel screen support bracket	

\*Appropriate cupsink(s) price included with worktop purchase.

Cupsink Diagrams



3 x 6 Cupsink Dimensions

3 x 9 Cupsink Dimensions

5 x 14 Cupsink Dimensions

**Fume Hood Plumbing – Pre-Piping Plumbing Fixtures****Pre-Piping Plumbing Fixtures**

<b>PP-FLM</b>	Piping per Fitting, Front Load, Mix, Simple
<b>PP-FLS</b>	Piping per Fitting, Front Load, Stainless
<b>PP-FLT</b>	Piping per Fitting, Front Load, Telfon
<b>PP-FLV</b>	Piping per Fitting, Front Load, Simple *Cold water, hot water, air, vacuum, nitrogen, hydrogen, steam 1/2" Type L hard copper tubing
<b>PP-FLW</b>	Piping per Fitting, Front Load, Ultra Pure *Argon, pure gas 1/2" ACR cleaned and capped copper tubing
<b>PP-FLX</b>	Piping per Fitting, Front Load, Black Iron *Gas, natural gas, steam 3/8" Schedule 40 black iron pipe
<b>PP-FLY</b>	Piping per Fitting, Front Load, PVC, Distilled *Distilled water 1/2" Schedule 80 PVC tubing
<b>PP-FLZ</b>	Piping per Fitting, Front Load, PolyPro *Deionized water, glycol supply, glycol return 1/2" Schedule 80 Polypropylene tubing
<b>PP-RDM</b>	Piping per Fitting, Rod Driven, Mix, Simple
<b>PP-RDS</b>	Piping per Fitting, Rod Driven, Stainless
<b>PP-RDT</b>	Piping per Fitting, Rod Driven, Mix, Teflon
<b>PP-RDV</b>	Piping per Fitting, Rod Driven, Copper *Cold water, hot water, air, vacuum, nitrogen, hydrogen, steam 1/2" Type L hard copper tubing
<b>PP-RDW</b>	Piping per Fitting, Rod Driven, Ultra Pure *Argon, pure gas 1/2" ACR cleaned and capped copper tubing
<b>PP-RDX</b>	Piping per Fitting, Rod Driven, Black Iron *Gas, natural gas 3/8" Schedule 40 black iron pipe
<b>PP-RDY</b>	Piping per Fitting, Rod Driven, PVC, Distilled *Distilled water 1/2" Schedule 80 PVC tubing
<b>PP-RDZ</b>	Piping per Fitting, Rod Driven, PolyPro *Deionized water, glycol supply, glycol return 1/2" Schedule 80 Polypropylene tubing

\*Note: These services are for general use only. Local plumbing codes supercede what is written here. It is ultimately the responsibility of the Dealer to interpret local plumbing codes.

### Pre-Piping Plumbing Fixtures

- PP-A0001** Pre-plumbing for external vacuum breaker
- PP-A0002** Pre-plumbing, Single Point Conn, Mixing, Simple
- PP-A0003** Pre-plumbing, Single Point Conn, Teflon
- PP-A0004** Pre-plumbing, Single Point Conn, Simple
- PP-A0005** Pre-plumbing, Single Point Conn, Stainless
- PP-A0006** Pre-plumbing, Single Point Conn, Ultra Pure
- PP-A0007** Pre-plumbing, Single Point Conn, Black Iron
- PP-A0008** Pre-plumbing, Single Point Conn, PVC
- PP-A0009** Pre-plumbing, Single Point Conn, Polypro
- PP-A0010** Pre-plumbing, Face Mounted Pressure Regulator
- PP-A0011** Insulated Piping, per Fitting

**Fume Hood Plumbing****Standard Indexing**

<u>FIXTURE USE</u>	<u>COLOR</u>	<u>ABBREV.</u>
Air	Orange	AIR
Cold Water	Green	CW
De-ionized Water	White	DI
Distilled Water	White	DW
Gas	Blue	GAS
Hot Water	Red	HW
Hydrogen	Pink	HYD
Nitrogen	Brown	NIT
Oxygen	Lt. Green	OXY
Steam	Black	STM
Vacuum	Yellow	VAC

**Other Indexing**

<u>FIXTURE USE</u>	<u>COLOR</u>	<u>ABBREV.</u>
Acetylene	Violet	C2H2
Actinium	Silver	AC
Ammonia	Lt. Green	NH3
Argon	Violet	AR
Aspirator	Green	ASP
Butane	Lt. Blue	BUT
Carbon Dioxide	Pink	C02
Chilled Water	Green	CH WAT
Chilled Water Supply	Green	CWS
Chilled Water Return	Green	CWR
Cylinder Gas	Lt. Blue	CYL GAS
Glycol Supply	Lt. Green	GYL SUP
Glycol Return	Lt. Green	GYL RET
Helium	Black	HE
Hydrogen	Pink	H2
Hydrogen	Lt. Blue	H
Hydrogen	Lt. Blue	H2
Hydrogen	Lt. Blue	HYD
Hydrogen Sulfite	Black	H2S
Ice Water	White	IW
Industrial Cold Water	Green	ICW
Industrial Hot Water	Red	IHW
Methane	Lt. Blue	CH4
Natural Gas	White	NAT GAS
Nitrogen	Gray	NIT
Nitrogen	Gray	N2
Nitrogen	Brown	N
Nitrogen	Brown	N2
Nitrous Oxide	Lt. Green	N20
Oxygen	Lt. Green	02
Phosphorus	Tan	P
Propane	Pink	PRO
Reverse Osmosis	White	RO
Special Gas	Lt. Blue	SG
Sulphur Dioxide	Tan	S02