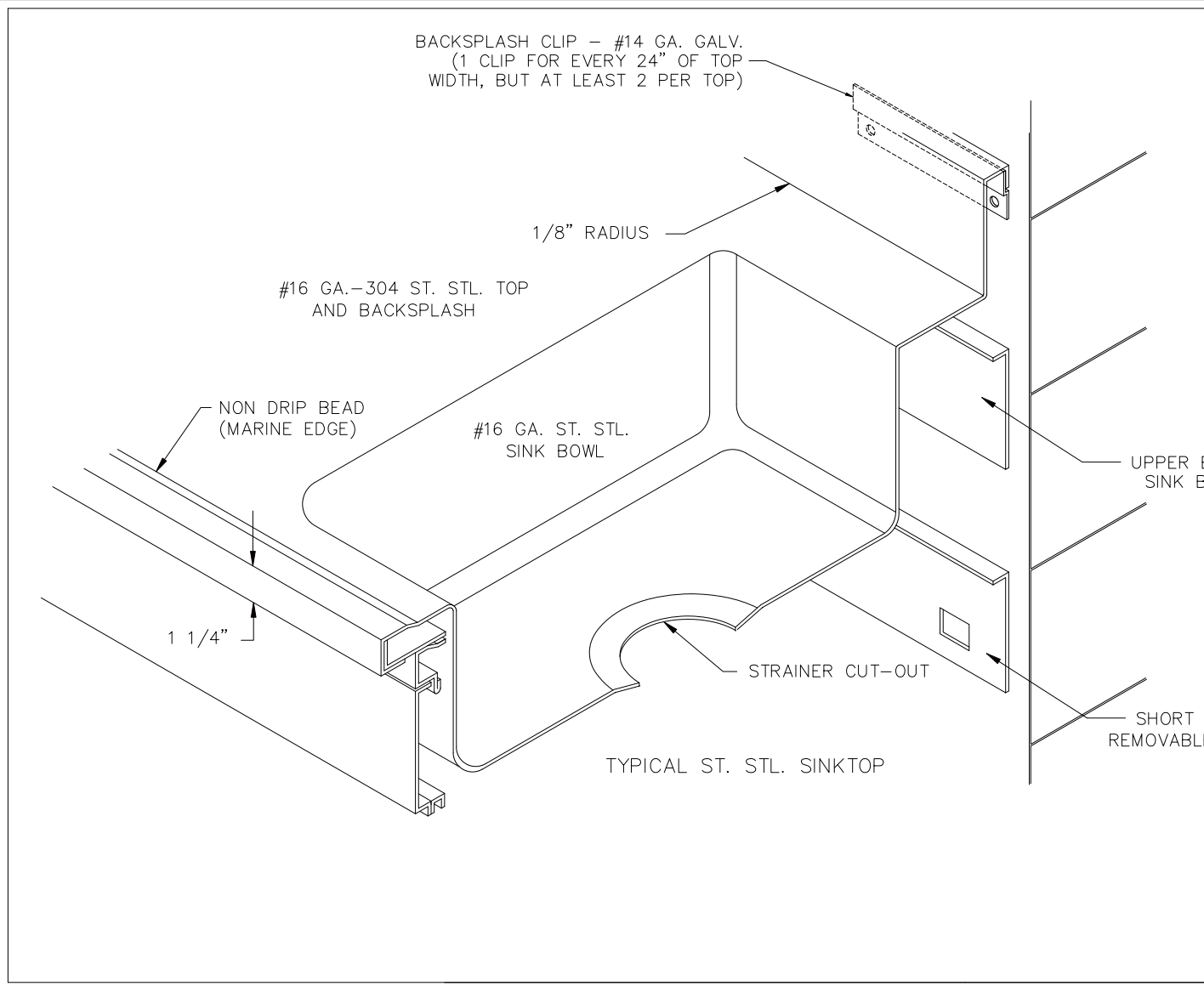


| |
|--------------|
| JOB NO. |
| Qty Req'd |
| No of Sheets |
| Date |
| Color |
| M # |



| |
|----------------------|
| MATERIAL |
| BLANK SIZE |
| SHEAR SIZE |
| PROGRAM |
| YIELD |
| TYPE |
| FAMILY OVR |
| PROD. CODE |

| A | 08/07/06 | ADDED BACKSPLASH CLIP | DD | |
|------------------------|----------|-----------------------|----|--|
| REV | DATE | DESCRIPTION | BY | |
| TOLERANCE (±) .015 UON | | | | |

JAMESTOWN 178 Blackstone Avenue
Jamestown, New York 14701

Item 00006050 Rev A Scale NTS

Description DOC,SINK,STD

Stainless Steel Slnk Detail

Drawn By MJK Date 03.07.00